



26 Watts of energy efficient ceiling mounted LED lighting. 100,000-hour LED lifespan. 5 year warranty. Flush mount fixture bracket. LED Light Engine included.

Color: Bronze

Weight: 6.6 lbs

**Project:**

**Type:**

**Prepared By:**

**Date:**

#### Driver Info

Type:	Constant Current
120V:	0.26A
208V:	0.17A
240V:	0.14A
277V:	0.13A
Input Watts:	30W
Efficiency:	86%

#### LED Info

Watts:	26W
Color Temp:	5000K
Color Accuracy:	69 CRI
L70 Lifespan:	100000
Lumens:	2,069
Efficacy:	68 LPW

## Technical Specifications

### Listings

#### UL Listing:

Suitable for wet locations.

#### IESNA LM-79 & IESNA LM-80 Testing:

RAB LED luminaires have been tested by an independent laboratory in accordance with IESNA LM-79 and 80, and have received the Department of Energy "Lighting Facts" label.

### LED Characteristics

#### Lifespan:

100,000-hour LED lifespan based on IES LM-80 results and TM-21 calculations.

#### Color Consistency:

7-step MacAdam Ellipse binning to achieve consistent fixture-to-fixture color.

#### Color Stability:

LED color temperature is warrantied to shift no more than 200K in CCT over a 5 year period.

#### Color Uniformity:

RAB's range of CCT (Correlated Color Temperature) follows the guidelines of the American National Standard for Specifications for the Chromaticity of Solid State Lighting (SSL) Products, ANSI C78.377-2011.

#### Color Temperature (Nominal CCT):

5000K

#### Color Accuracy:

69 CRI

### Other

#### Country of Origin:

Designed by RAB in New Jersey and assembled in Taiwan.

### Trade Agreements Act Compliant:

This product is a product of Taiwan and a "designated country" end product that complies with the Trade Agreements Act.

### GSA Schedule:

Suitable in accordance with FAR Subpart 25.4.

### Patents:

The design of the CLED is protected by U.S. Pat. D608,040, D615,689, Canada Patent 821412 and patents pending in China, Taiwan and Mexico.

### Warranty:

RAB warrants that our LED products will be free from defects in materials and workmanship for a period of five (5) years from the date of delivery to the end user, including coverage of light output, color stability, driver performance and fixture finish.

### California Title 24:

See CLED2X13BB/PCS for a 2013 California Title 24 compliant model.

### Equivalency:

The CLED2X13 is Equivalent in delivered lumens to a 42W CFL or 70W Metal Halide Ceiling Fixture.

### HID Replacement Range:

The CLED2X13 can be used to replace 70-100W Metal Halide Ceiling Lights based on delivered lumens.

### Electrical

#### Driver:

Multi-chip 13W high output long life LED Driver Constant Current, Class 2 100V - 277V, 50/60 Hz.

#### Surge Protection:

4kV

### Construction

#### Thermal Management:

Cast aluminum Thermal Management system for optimal heat sinking. Designed for cool operation, most efficient output and maximum LED life by minimizing LED junction temperature.

#### Housing:

Precision die cast aluminum housing and lens framing.

#### Finish:

Our environmentally friendly polyester powder coatings are formulated for high-durability and long-lasting color, and contains no VOC or toxic heavy metals.

#### Green Technology:

Mercury and UV free. RoHS compliant components. Polyester powder coat finish formulated without the use of VOC or toxic heavy metals.

#### Mounting Accessory:

Surface mounting box

#### Cold Weather Starting:

The minimum starting temperature is -40°C/-40°F

#### Maximum Ambient Temperature:

Suitable for use in 40°C (104°F) ambient temperatures

### Optical

#### Lumen Maintenance:

The LED will deliver 70% of its initial lumens at 100,000 hours of operation.

## Technical Specifications (continued)

### Optical

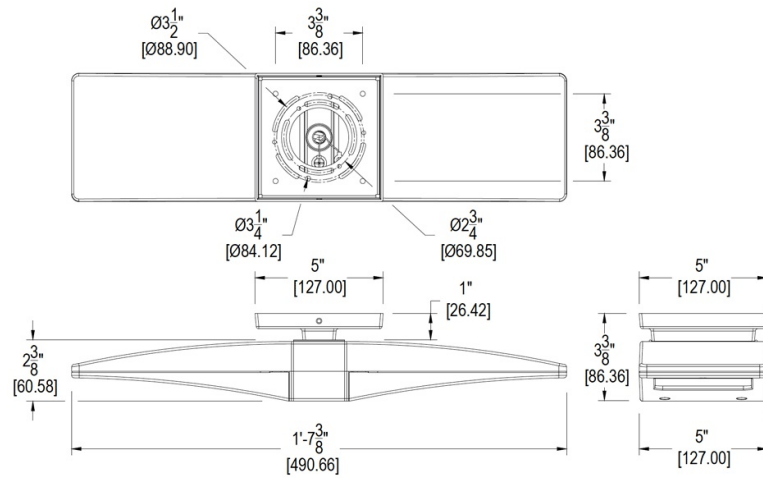
#### Fixture Efficacy:

68 Lumens per Watt

### BUG Rating:

B1 U1 G0

## Dimensions



## Features

Flush mount fixture bracket

Die cast aluminum lens frame with tempered glass and double gasketing

Fully Shielded, Full Cutoff Optics

LED Light Engine life delivers 70% of rated lumens at 100,000 hours

Great for parking garages, canopies, stairwells and entrance ways

LM-70 and LM-80 tested

5-year warranty