

EZHH150QT



Versatile Floodlight with hinged lens frame and Hydroformed reflector. Field adjustable vertical and horizontal lamp positions.

Color: Bronze

Weight: 15.0 lbs

Project:	Type:
Prepared By:	Date:

Lamp Info		Ballast Info	
Type:	ED17	Type:	CWA-HPF QT
Watts:	150W	120V:	1.0/1.6A
Shape/Size:	N/A	208V:	.6/.9A
Base:	N/A	240V:	.5/.8A
ANSI:	N/A	277V:	.5/.7A
Hours:	10,000	Input Watts:	185W
Lamp Lumens:	12,500	Efficiency:	81%
Efficacy:	68 LPW		

Technical Specifications

Listings

UL Listing:

Suitable for wet locations. Suitable for ground mounting.

Construction

Housing:

Precision die cast aluminum. 1/2" NPS threaded arm with locking swivel.

Reflector:

Hydroformed aluminum. Field adjustable vertical or horizontal.

Lens Gasket:

High temperature tubular silicone set in die cast retaining groove remains in place during relamping.

Lens Frame:

Precision die cast aluminum. Hinged for easy access.

Finish:

Our environmentally friendly polyester powder coatings are formulated for high-durability and long-lasting color, and contains no VOC or toxic heavy metals.

Ground Mounting:

Use the new MPM19 PVC Mighty Post with aluminum cap for sturdy installation.

EPA:

0.6

Electrical

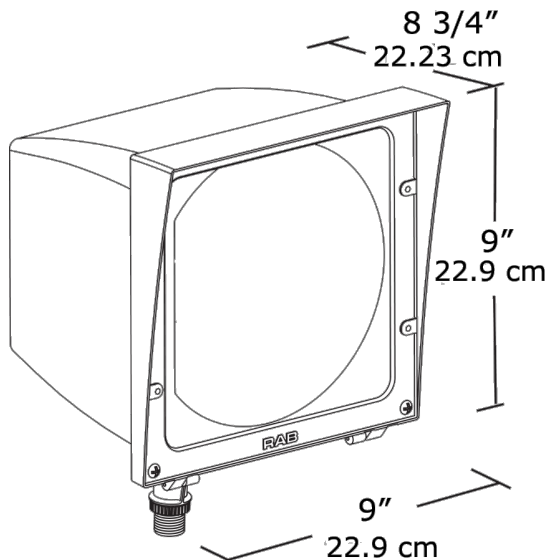
Socket:

Porcelain 4kv Pulse Rated socket with nickel plated screw shell.

Quad Tap:

Fixture works with 120, 208, 240 and 277 Volts.

Dimensions



Features

Fins for heat dissipation extend lamp & ballast title

Hinged lens frame is captive during relamping

Silicone gasket for durable weatherproofing

Hydroformed reflector is field adjustable to vertical or horizontal lamp positions

Long life lamp included

Precision die cast aluminum housing and lens frame with durable polyester powder coating

EZ Grip locknut matches fixture finish and can be adjusted with fingers pliers or a screwdriver