



Prismatic glass globes hide the light source and allow maximum light output in RAB and other standard size Vaporproof fixtures.

Color: Clear

Weight: 2.5 lbs

Project:	Type:
Prepared By:	Date:

Technical Specifications

Listings

UL Listing:

Suitable for wet locations when used with Vaporproof fixtures. Suitable for dry, damp or wet locations when used as replacement globes for listed fixtures. Fixtures must be installed with lamp base up when outdoors.

Construction

Glass Globes:

Clear thermal shock resistant soda lime glass standard.

Electrical

Maximum Wattage:

300 watts

Other

Buy American Act Compliant:

This product is a COTS item manufactured in the United States, and is compliant with the Buy American Act.

Recovery Act (ARRA) Compliant:

This product complies with the 52.225-21 "Required Use of American Iron, Steel, and Manufactured Goods-- Buy American Act-- Construction Materials (October 2010).

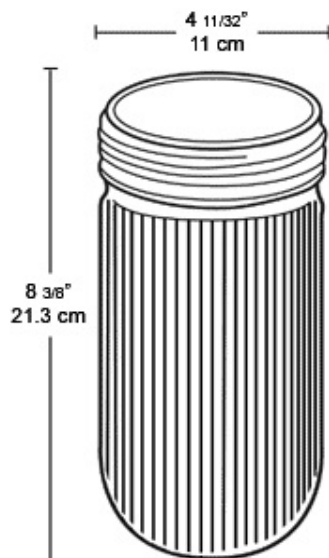
Trade Agreements Act Compliant:

This product is a COTS item manufactured in the United States, and is compliant with the Trade Agreements Act.

GSA Schedule:

Suitable in accordance with FAR Subpart 25.4.

Dimensions



Features

Crystal Lime glass in two sizes and six colors

Industry standard 3 5/32" or 4 5/32" threads