

Project:	Type:
Prepared By:	Date:

Technical Specifications

Other

Country of Origin:

Designed by RAB in New Jersey and assembled in Taiwan.

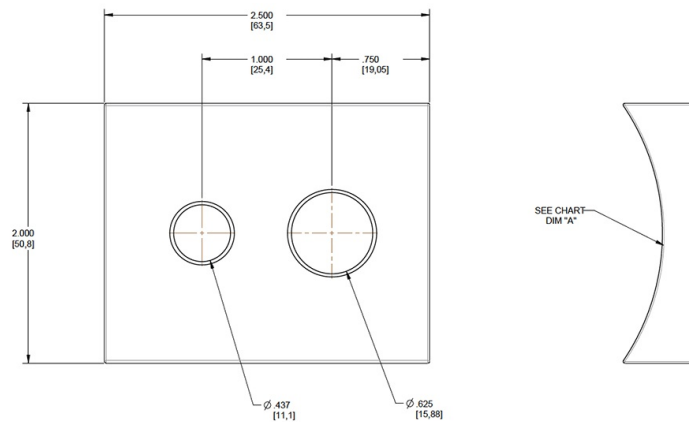
Trade Agreements Act Compliant:

This product is a product of Taiwan and a "designated country" end product that complies with the Trade Agreements Act.

GSA Schedule:

Suitable in accordance with FAR Subpart 25.4.

Dimensions



POLE DIA	DIM "A"
3"	R 1.50"
3.5"	R 1.75"
4"	R 2.0"
5"	R 2.5"
6"	R 3.0"

Ordering Matrix

Family	Size	Compatibility	Finish
RPA	3 = 3" 35 = 3.5" 4 = 4" 5 = 5"	Blank = ALED52/78/104, AL, ALX, AJ L = ALED10/13/20/26	Blank = Bronze W = White