

Project:	Type:
Prepared By:	Date:

Corrosionproof and nonconductive floodlight. Molded black or white polycarbonate with porcelain socket will not chip, peel, or fade. PAR38 150 Watt max. Lamp not supplied.

Color: White

Weight: 0.3 lbs

Technical Specifications

Listings

UL Listing:

Suitable for wet locations.

Electrical

Sockets:

Porcelain with all copper current carrying components and spring loaded center contact.

Construction

Swivels:

Fully adjustable with sure-grip locknuts. 1/2" NPS threaded arm with locking swivel fits all standard mounting covers.

Housings:

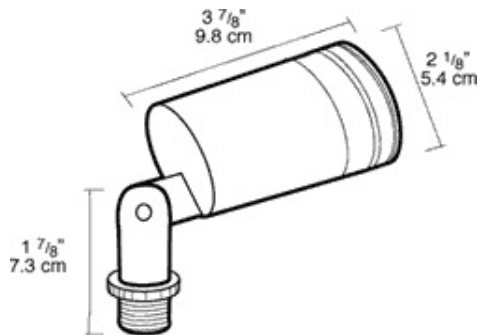
Precision die cast aluminum. Tuffy flood is molded plastic.

Optical

Lamp:

Medium base PAR38 lamps up to 150 watts. lamp not supplied.

Dimensions



Features

Molded, high temperature silicone gasket

EZ Grip locknut matches fixture finish and can be adjusted with fingers, pliers or a screwdriver

Rugged heavy sand die cast aluminum housing with durable powder coating

Sockets have all copper current carrying components

Fully adjustable swivel with sure-grip locks

Mounting arms have 1/2" threads