



Ceiling fixture for 13 Watt compact fluorescent. Satin aluminum with cylinder shaped white glass or unbreakable polycarbonate white globe. Lamp supplied.

Color: Satin aluminum

Weight: 2.5 lbs

Project:	Type:
Prepared By:	Date:

Lamp Info		Ballast Info	
Type:	13W Quad	Type:	NPF 120V
Watts:	13W	120V:	0.35A
Shape/Size:	N/A	208V:	N/A
Base:	N/A	240V:	N/A
ANSI:	N/A	277V:	N/A
Hours:	10,000	Input Watts:	17W
Lamp Lumens:	825	Efficiency:	76%
Efficacy:	49 LPW		

Technical Specifications

Listings

UL Listing:

Suitable for wet locations. Suitable for use in dwellings. Suitable for use with 90°C supply wiring. Complies with UL Standard 1598.

Construction

Finish:

Our environmentally friendly polyester powder coatings are formulated for high-durability and long-lasting color, and contains no VOC or toxic heavy metals.

Housing:

Die cast aluminum.

Globes:

White glass or unbreakable polycarbonate white globes.

Optional Guard:

Order flat bottom guard separately. CAT# GD100BAR.

Ballast Minimum Starting Temperature:

32°F.

Electrical

Socket:

HID Glazed porcelain 4kv pulse rated with nickel plated screw shell and spring contacts. CFL White thermo plastic with integral clips for lamp retention.

Optical

F13:

Compact Fluorescent 13W.

Other

Country of Origin:

Designed by RAB in New Jersey and assembled in the USA by RAB's IBEW Local 3 workers.

Buy American Act Compliant:

This product is a COTS item manufactured in the United States, and is compliant with the Buy American Act.

Recovery Act (ARRA) Compliant:

This product complies with the 52.225-21 "Required Use of American Iron, Steel, and Manufactured Goods-- Buy American Act-- Construction Materials (October 2010).

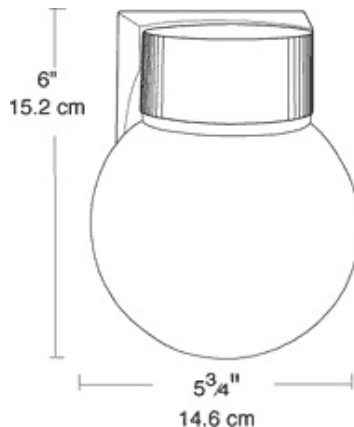
Trade Agreements Act Compliant:

This product is a COTS item manufactured in the United States, and is compliant with the Trade Agreements Act.

GSA Schedule:

Suitable in accordance with FAR Subpart 25.4.

Dimensions



Features

- Die cast aluminum for superior durability
- Decorative white heat resistant glass or polycarbonate globes available
- High temperature silicone internal gaskets
- Premium porcelain socket
- UL Listed for use with 90°C supply wiring OK for use in dwellings and wet locations