

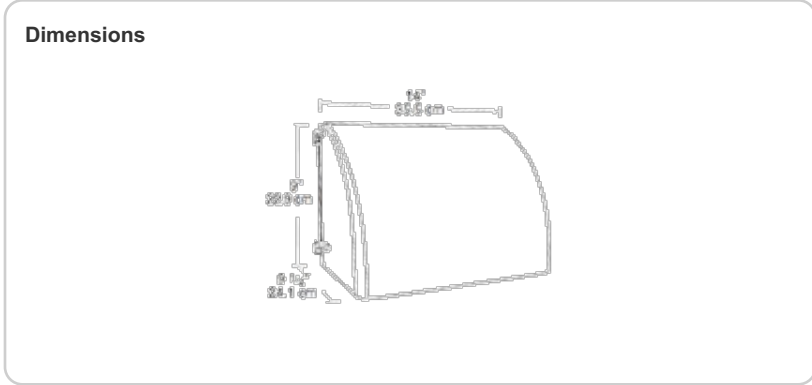


<b>Project:</b>	<b>Type:</b>
<b>Prepared By:</b>	<b>Date:</b>

Lamp Info		Ballast Info	
Type:	32w Triple	Type:	Elec HPF QT
Watts:	32W	120V:	0.31A
Shape/Size:	N/A	208V:	N/A
Base:	N/A	240V:	N/A
ANSI:	N/A	277V:	N/A
Hours:	12,000	Input Watts:	32W
Lamp Lumens:	2,400		
Efficacy:	75 LPW		

### Technical Specifications

<p><b>Electrical</b></p> <p><b>Emergency Battery Backup:</b> Bodine "Coldpak" will operate the CFL lamp for 90 minutes if power fails. Rated -20°C to 55°C. Battery is a maintenance free NiCad with 7 - 10 year life. Wired for 120V.</p> <p><b>Listings</b></p> <p><b>UL Listing:</b> Suitable for wet locations. HID fixtures can be wired with 90°C supply wiring if supply wires are routed 3" away from ballast.</p> <p><b>Construction</b></p> <p><b>Housing:</b> Die cast aluminum, 1/2" NPS tapped holes top, both sides and back for conduit or photocontrol. Hinged refractor frame. Continuous silicone rubber gasket.</p> <p><b>Reflector:</b> Specular anodized aluminum, removable for installation. Symmetrical light pattern maximizes distance between fixtures.</p>	<p><b>Cutoff Lens:</b> Tempered glass.</p> <p><b>Finish:</b> Our environmentally friendly polyester powder coatings are formulated for high-durability and long-lasting color, and contains no VOC or toxic heavy metals.</p> <p><b>Optical</b></p> <p><b>Refractor:</b> Prismatic optics designed to minimize glare and throw light down and out. Heat resistant borosilicate glass.</p> <p><b>Other</b></p> <p><b>Country of Origin:</b> Designed by RAB in New Jersey and assembled in the USA by RAB's IBEW Local 3 workers.</p>	<p><b>Buy American Act Compliant:</b> This product is a COTS item manufactured in the United States, and is compliant with the Buy American Act.</p> <p><b>Recovery Act (ARRA) Compliant:</b> This product complies with the 52.225-21 "Required Use of American Iron, Steel, and Manufactured Goods-- Buy American Act-- Construction Materials (October 2010).</p> <p><b>Trade Agreements Act Compliant:</b> This product is a COTS item manufactured in the United States, and is compliant with the Trade Agreements Act.</p> <p><b>GSA Schedule:</b> Suitable in accordance with FAR Subpart 25.4.</p>
--	--	---



- ### Features
- Emergency battery backup meets NEC requirement
  - Test button for required maintenance checks
  - Indicator light illuminates when charging
  - Maintenance free NiCad battery has 7-10 year life
  - Hinged door frame opens and remains captive for easy relamping
  - Silicone gasket remains in place during relamping
  - Long life lamp included