



Replace conventional halogen bulbs. Dimmable 80CRI lamps that work across many common dimmers in the field.

Color: White

Weight: 0.1 lbs

Project:	Type:
Prepared By:	Date:

Driver Info		LED Info	
Watts	10.00W	Input Voltage	120V
Color Temp	3500K (Neutral White)	Power Factor	0.7
Lumens	800	Flicker	N/A
Efficacy	80 LPW	THDi	N/A
Color Accuracy	80 CRI	R9	
L70 Accuracy	15,000		

Technical Specifications

Technical Specifications

Product Type:

A-Line

Bulb Shape:

A19 Frost

Wattage:

10W

Wattage Equivalency:

60W Incandescent

Typical Lumen Output:

800

Efficacy:

80 lm/W

Color Temperature:

3500K Neutral White

CRI:

80

Base Type:

E26

L70 Lifespan:

15,000 hours

Operating Temperature:

-20°C - 45°C

Dimmable:

Yes, down to 10%

Beam Angle:

230°

Warranty:

3-Year, No-Compromise Warranty

For Use in Emergency Fixtures:

No

For Use Outdoors in Open Fixtures:

No

Electrical Characteristics

Input Voltage:

120V

Power Factor:

0.7

Operating Frequency:

60 Hz

Technical Specifications (continued)

Electrical Characteristics

Input Current @ 120V:

101mA

Listings

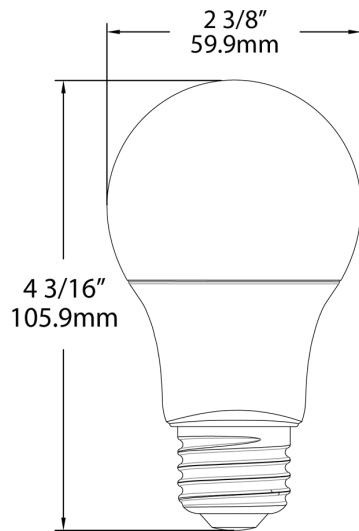
UL Listed:

Yes

CEC Status:

Not lawful for sale in California

Dimensions



Features

REPLACE conventional halogen and incandescent bulbs

ENERGY SAVINGS - Save up to 85% on energy

DAMP RATED - Suitable for damp locations

15,000-HOUR LIFESPAN - Last up to 13.7 years at 3 hours per day

ENCLOSED FIXTURE RATED - May be used in both enclosed and open fixtures

SHATTERPROOF - Plastic lamps for rugged applications

80 CRI - Ideal for general lighting applications

DIMMABLE - Compatible with most common dimmer models