



Replace conventional halogen and incandescent bulbs. Best value, non-dimmable lamps that are rated for enclosed fixtures.

Color: White

Weight: 0.1 lbs

Project:

Type:

Prepared By:

Date:

Driver Info

LED Info

Watts	6.00W	Input Voltage	120V
Color Temp	4000K (Cool White)	Power Factor	>0.6
Lumens	480	Flicker	<30%
Efficacy	80 LPW	THDi	N/A
Color Accuracy	80 CRI	R9	
L70 Accuracy	15,000		

Technical Specifications

Technical Specifications

Product Type:

A-Line

Bulb Shape:

A19

Wattage:

6W

Wattage Equivalency:

40W Incandescent

Typical Lumen Output:

480

Efficacy:

80 lm/W

Color Temperature:

4000K Cool White

CRI:

80

Base Type:

E26

L70 Lifespan:

15,000 hours

Operating Temperature:

-25°C - 40°C

Dimmable:

No

Beam Angle:

230°

Warranty:

3-Year, No-Compromise Warranty

For Use in Emergency Fixtures:

No

For Use Outdoors in Open Fixtures:

No

Electrical Characteristics

Input Voltage:

120V

Power Factor:

>0.6

Operating Frequency:

60 Hz

Technical Specifications (continued)

Electrical Characteristics

Input Current @ 120V:

80mA

Flicker:

<30%

Listings

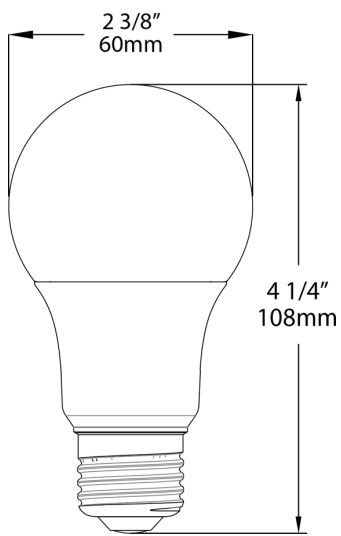
UL Listed:

Yes

CEC Status:

Not lawful for sale in California

Dimensions



Features

- REPLACE conventional halogen and incandescent bulbs
- PRODUCES 80 CRI, ideal for general lighting applications
- ENCLOSED FIXTURE RATED: May be used in both enclosed and open fixtures
- DAMP RATED: Suitable for damp locations
- SHATTERPROOF: Plastic constructed bulbs ideal for rugged applications