

A21-17-E26-840-ND 120-277V



Replace 125W A19 lamps. These universal voltage bulbs work on 120 or 277V for maximum flexibility across applications.

Color: White

Weight: 0.5 lbs

Project:

Type:

Prepared By:

Date:

Driver Info

Watts 16.50W
Color Temp 4000K (Cool White)
Lumens 2,050
Efficacy 124.2 LPW
Color Accuracy 80 CRI
L70 Accuracy 40,000

LED Info

Input Voltage 120-277
Power Factor >0.9
Flicker N/A
THDi N/A
R9

Technical Specifications

Technical Specifications

Product Type:

A-Line

Bulb Shape:

A21 E26

Wattage:

16.5W

Wattage Equivalency:

125WW Incandescent

Typical Lumen Output:

2050

Efficacy:

121 lm/W

Color Temperature:

4000K Cool White

CRI:

80

Base Type:

E26

L70 Lifespan:

40,000 hours

Operating Temperature:

-20°C - 45°C

Dimmable:

No

Beam Angle:

230°

Warranty:

5-Year, No-Compromise Warranty

For Use in Emergency Fixtures:

No

For Use Outdoors in Open Fixtures:

No

Electrical Characteristics

Input Voltage:

120-277V

Power Factor:

>0.9

Operating Frequency:

60 Hz

Technical Specifications (continued)

Electrical Characteristics

Input Current @ 120V:

178mA

Input Current @ 277V:

77mA

THDi:

≤25%

Listings

UL Listed:

Yes

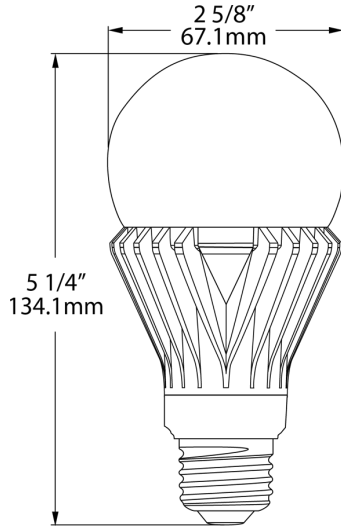
UL Classified:

Yes

CEC Status:

Not lawful for sale in California

Dimensions



Features

UNIVERSAL BULBS: Replace 60W, 125W, 200W and 300W incandescent lamps operated on 120V or 277V

UNIVERSAL voltage bulbs have high lumen packages for industrial and commercial applications

ENERGY SAVINGS: Save up to 85% on energy

ENCLOSED FIXTURE RATED: May be used in both enclosed and open fixtures

DAMP RATED: Suitable for damp locations

SHATTERPROOF: Plastic constructed bulbs ideal for rugged applications