



<b>Project:</b>	<b>Type:</b>
<b>Prepared By:</b>	<b>Date:</b>

Driver Info		LED Info	
Type:	Constant Current	Watts:	150W
120V:	1.31A	Color Temp:	5000K
208V:	0.80A	Color Accuracy:	71 CRI
240V:	0.69A	L70 Lifespan:	100000
277V:	0.60A	Lumens:	16839
Input Watts:	155W	Efficacy:	108 LPW
Efficiency:	97%		

## Technical Specifications

### Fixture

#### Quantity:

1 qty of ALED3T150

#### Fixture: Listings

#### UL Listing:

Suitable for wet locations as a downlight

#### DLC Listed:

This product is on the Design Lights Consortium (DLC) Qualified Products List and is eligible for rebates from DLC Member Utilities.

DLC Product Code: PHQG1YES

#### IESNA LM-79 & LM-80 Testing:

RAB LED luminaires have been tested by an independent laboratory in accordance with IESNA LM-79 and LM-80, and have been received the Department of Energy "Lighting Facts" label

#### Dark Sky Approved:

The International Dark Sky Association has approved this product as a full cutoff, fully shielded luminaire

#### Fixture: LED Characteristics

##### Lifespan:

100,000-hour LED lifespan based on IES LM-80 results and TM-21 calculations

##### LEDs:

Multi-chip, high-output, long-life LEDs

##### Color Consistency:

7-step MacAdam Ellipse binning to achieve consistent fixture-to-fixture color

##### Color Stability:

LED color temperature is warranted to shift no more than 200K in CCT over a 5 year period

#### Color Uniformity:

RAB's range of CCT (Correlated Color Temperature) follows the guidelines of the American National Standard for Specifications for the Chromaticity of Solid State Lighting (SSL) Products, ANSI C78.377-2017.

#### Fixture: Construction

##### IES Classification:

The Type III distribution is ideal for roadway, general parking and other area lighting applications where a larger pool of lighting is required. It is intended to be located near the side of the area, allowing the light to project outward and fill the area.

##### Effective Projected Area:

EPA = 0.75

##### Maximum Ambient Temperature:

Suitable for use in 40°C (104°F) ambient temperatures

##### Cold Weather Starting:

Minimum starting temperature is -40°C (-40°F)

##### Thermal Management:

Superior thermal management with external "Air-Flow" fins

##### Lens:

Tempered glass lens

##### IP Rating:

Ingress Protection rating of IP66 for dust and water

##### Mounting:

Universal mounting arm compatible for hole spacing patterns from 1" to 5 1/2" center to center. Round Pole Adaptor plate included as a standard. Easy slide and lock to mount fixture with ease.

#### Reflector:

Specular vacuum-metallized polycarbonate

#### Gaskets:

High-temperature silicone gaskets

#### Finish:

Formulated for high-durability and long lasting color

#### Green Technology:

Mercury and UV-free. RoHS compliant components. Polyester powder coat finish formulated without the use of VOCs or toxic heavy metals.

#### For use on LEED Buildings:

IDA Dark Sky Approval means that this fixture can be used to achieve LEED Credits for Light Pollution Reduction

#### Fixture: Electrical

##### Drivers:

Two Drivers, Constant Current, Class 2, 2000mA, 100-277V, 50-60Hz, Power Factor 99%

##### THD:

6% at 120V, 11.3% at 277V

#### Fixture: Optical

##### BUG Rating:

B1 U0 G2

## Technical Specifications (continued)

**Fixture: Other**

**Warranty:**

RAB warrants that our LED products will be free from defects in materials and workmanship for a period of five (5) years from the date of delivery to the end user, including coverage of light output, color stability, driver performance and fixture finish.

**Replacement:**

Replaces 400W Metal Halide

**Poles: Listings**

**CSA Listed:**

Suitable for wet locations

**Poles: Construction**

**Shaft:**

46,000 p.s.i. minimum yield.

**Hand Holes:**

Reinforced with grounding lug and removable cover

**Base Plates:**

Slotted base plates 36,000 p.s.i.

**Max Wind (MPH):**

110 MPH

**Color:**

Bronze powder coating

**Height:**

20 FT

**Weight:**

137 lbs

**Gauge:**

11

**Wall Thickness:**

1/8"

**Shaft Size:**

4"

**Hand Hole Dimensions:**

3" x 5"

**Bolt Circle:**

8 1/2"

**Base Dimension:**

8"

**Poles: Other**

**Shipping Protection:**

All poles are shipped in individual corrugated cartons to prevent finish damage

**Terms of Sale:**

Pole Terms of Sale is available .

**Anchor Bolt: Construction**

**Anchor Bolt:**

Galvanized anchor bolts and galvanized hardware and anchor bolt template. All bolts have a 3" hook.

**Anchor Bolt Templates:**

WARNING Template must be printed on 11" x 17" sheet for actual size. CHECK SCALE BEFORE USING. Templates shipped with anchor bolts and available .

**Other**

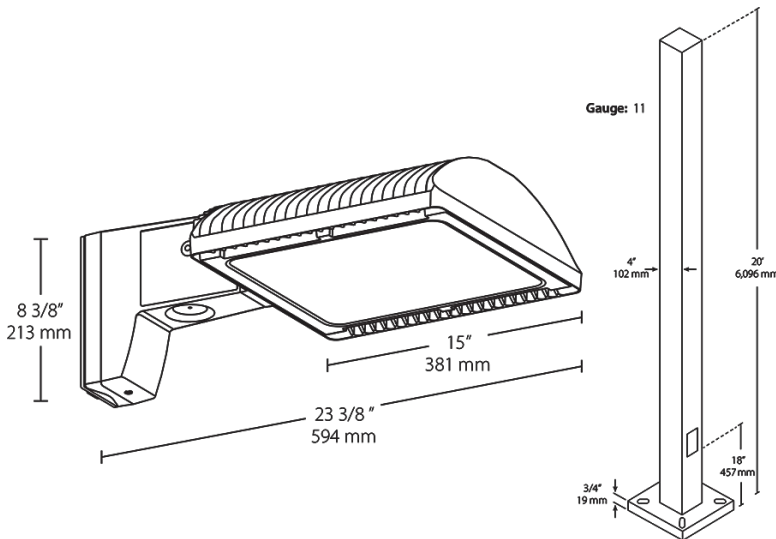
**Shipping:**

All components ship separately

**Buy American Act Compliance:**

RAB values USA manufacturing! Upon request, RAB may be able to manufacture this product to be compliant with the Buy American Act (BAA). Please contact customer service to request a quote for the product to be made BAA compliant.

## Dimensions



## Features

EZ-SITE™ Area Light & Pole Combos

Buy area lights and poles together and save!

Square Drilled Poles - 15 ft, 20 ft or 25 ft

Anchor Bolt Kit Included