



78W and 150W specification-grade area lights with IES Type III distribution, offered in combination with poles. For use in roadway, general parking and other area lighting applications where a larger pool of lighting is required.

Color: Bronze

**Project:**

**Type:**

**Prepared By:**

**Date:**

**Driver Info**

Type: Constant Current  
 120V: 1.31A  
 208V: 0.80A  
 240V: 0.69A  
 277V: 0.60A  
 Input Watts: 155W  
 Efficiency: 97%

**LED Info**

Watts: 150W  
 Color Temp: 5000K  
 Color Accuracy: 71 CRI  
 L70 Lifespan: 100000  
 Lumens: 16839  
 Efficacy: 108 LPW

## Technical Specifications

**Fixture**

**Quantity:**

1 qty of ALED3T150/PCT

**Fixture: Listings**

**UL Listing:**

Suitable for wet locations as a downlight

**DLC Listed:**

This product is on the Design Lights Consortium (DLC) Qualified Products List and is eligible for rebates from DLC Member Utilities.  
 DLC Product Code: PHQG1YES

**Title 24 Compliant:**

An ALED area light fixture with a PCT control option can be used to comply with 2016 Title 24 Part 6 Section 130.2 (a,b,c)

**IESNA LM-79 & LM-80 Testing:**

RAB LED luminaires and LED components have been tested by an independent laboratory in accordance with IESNA LM-79 and LM-80.

**Dark Sky Approved:**

The International Dark Sky Association has approved this product as a full cutoff, fully shielded luminaire

**Fixture: LED Characteristics**

**Lifespan:**

100,000-hour LED lifespan based on IES LM-80 results and TM-21 calculations

**LEDs:**

Multi-chip, high-output, long-life LEDs

**Color Consistency:**

7-step MacAdam Ellipse binning to achieve consistent fixture-to-fixture color

**Color Stability:**

LED color temperature is warranted to shift no more than 200K in CCT over a 5 year period

**Color Uniformity:**

RAB's range of CCT (Correlated Color Temperature) follows the guidelines of the American National Standard for Specifications for the Chromaticity of Solid State Lighting (SSL) Products, ANSI C78.377-2017.

**Fixture: Electrical**

**Photocell:**

120-277V twistlock photocell included. Photocell is compatible with 120-277V.

**Drivers:**

Two Drivers, Constant Current, Class 2, 2000mA, 100-277V, 50-60Hz, Power Factor 99%

**THD:**

6% at 120V, 11.3% at 277V

**Fixture: Construction**

**IES Classification:**

The Type III distribution is ideal for roadway, general parking and other area lighting applications where a larger pool of lighting is required. It is intended to be located near the side of the area, allowing the light to project outward and fill the area.

**Effective Projected Area:**

EPA = 0.75

**Maximum Ambient Temperature:**

Suitable for use in 40°C (104°F) ambient temperatures

**Cold Weather Starting:**

Minimum starting temperature is -40°C (-40°F)

**Thermal Management:**

Superior thermal management with external "Air-Flow" fins

**Lens:**

Tempered glass lens

**IP Rating:**

Ingress Protection rating of IP66 for dust and water

**Mounting:**

Universal mounting arm compatible for hole spacing patterns from 1" to 5 1/2" center to center. Round Pole Adaptor plate included as a standard. Easy slide and lock to mount fixture with ease.

**Reflector:**

Specular vacuum-metallized polycarbonate

**Gaskets:**

High-temperature silicone gaskets

**Finish:**

Formulated for high-durability and long lasting color

**Weight:**

32.5 lbs

## Technical Specifications (continued)

### Fixture: Construction

#### Green Technology:

Mercury and UV-free. RoHS compliant components. Polyester powder coat finish formulated without the use of VOCs or toxic heavy metals.

#### For use on LEED Buildings:

IDA Dark Sky Approval means that this fixture can be used to achieve LEED Credits for Light Pollution Reduction

### Fixture: Optical

#### BUG Rating:

B1 U0 G2

### Fixture: Other

#### Warranty:

RAB warrants that our LED products will be free from defects in materials and workmanship for a period of five (5) years from the date of delivery to the end user, including coverage of light output, color stability, driver performance and fixture finish.

#### Replacement:

Replaces 400W Metal Halide

### Poles: Listings

#### CSA Listed:

Suitable for wet locations

### Poles: Construction

#### Shaft:

46,000 p.s.i. minimum yield.

#### Hand Holes:

Reinforced with grounding lug and removable cover

#### Base Plates:

Slotted base plates 36,000 p.s.i.

#### Max Wind (MPH):

110 MPH

#### Color:

Bronze powder coating

#### Height:

20 FT

#### Weight:

137 lbs

#### Gauge:

11

#### Wall Thickness:

1/8"

#### Shaft Size:

4"

#### Hand Hole Dimensions:

3" x 5"

#### Bolt Circle:

8 1/2"

#### Base Dimension:

8"

### Poles: Other

#### Shipping Protection:

All poles are shipped in individual corrugated cartons to prevent finish damage

#### Terms of Sale:

Pole Terms of Sale is available .

### Anchor Bolt: Construction

#### Anchor Bolt:

Galvanized anchor bolts and galvanized hardware and anchor bolt template. All bolts have a 3" hook.

#### Anchor Bolt Templates:

WARNING Template must be printed on 11" x 17" sheet for actual size. CHECK SCALE BEFORE USING. Templates shipped with anchor bolts and available .

### Other

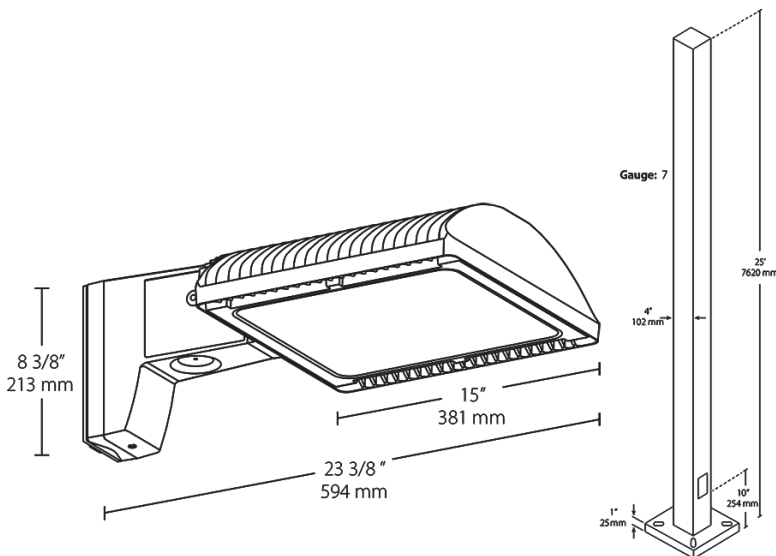
#### Shipping:

All components ship separately

#### Buy American Act Compliance:

RAB values USA manufacturing! Upon request, RAB may be able to manufacture this product to be compliant with the Buy American Act (BAA). Please contact customer service to request a quote for the product to be made BAA compliant.

## Dimensions



## Features

EZ-SITE™ Area Light & Pole Combos

Buy area lights and poles together and save!

Square Drilled Poles - 15 ft, 20 ft or 25 ft

Anchor Bolt Kit Included