



Color: Black

Weight: 32.0 lbs

<b>Project:</b>	<b>Type:</b>
<b>Prepared By:</b>	<b>Date:</b>

Driver Info		LED Info	
Type:	Constant Current	Watts:	50W
120V:	0.46A	Color Temp:	5000K (Cool)
208V:	0.27A	Color Accuracy:	71 CRI
240V:	0.23A	L70 Lifespan:	100,000
277V:	0.20A	Lumens:	7,070
Input Watts:	56W	Efficacy:	126 LPW
Efficiency:	89%		

## Technical Specifications

### Lightcloud

#### Lightcloud Controller Installed:

Fixture, Zone, and plug-load control from one powerful device. Capable of switching, 0-10V dimming, power monitoring. Can also be used to extend the range of the Lightcloud mesh network. Attach to fixture, junction box, or electrical panel.

### Electrical

#### THD:

6.1% at 120V, 9.4% at 277V

#### Power Factor:

99.6% at 120V, 96% at 277V

#### Dimming Driver:

Driver includes dimming control wiring for 0-10V dimming systems. Requires separate 0-10V DC dimming circuit. Dims as low as 10%.

#### Driver:

Constant Current, Class 2, 1400mA, 100-277V, 50-60Hz, 0.8A, Power Factor 99%

#### Surge Protection:

6kV surge suppression protection tested in accordance with IEEE/ANSI C62.41.2.

### Listings

#### UL Listing:

Suitable for wet locations as a downlight

#### IESNA LM-79 & IESNA LM-80 Testing:

RAB LED luminaires and LED components have been tested by an independent laboratory in accordance with IESNA LM-79 and LM-80.

### LED Characteristics

#### Lifespan:

100,000-hour LED lifespan based on IES LM-80 results and TM-21 calculations

### LEDs:

Multi-chip, high-output, long-life LEDs

### Color Consistency:

7-step MacAdam Ellipse binning to achieve consistent fixture-to-fixture color

### Color Stability:

LED color temperature is warranted to shift no more than 200K in CCT over a 5 year period

### Color Uniformity:

RAB's range of CCT (Correlated Color Temperature) follows the guidelines of the American National Standard for Specifications for the Chromaticity of Solid State Lighting (SSL) Products, ANSI C78.377-2017.

### Construction

#### IES Classification:

The Type II distribution is ideal for wide walkways, on ramps and entrance roadways, bike paths and other long and narrow lighting applications. This type is meant for lighting larger areas and usually is located near the roadside. This type of lighting is commonly found on smaller side streets or jogging paths.

#### Effective Projected Area:

EPA = 0.75

#### IP Rating:

Ingress Protection rating of IP66 for dust and water

#### Ambient Temperature:

Suitable For use in 40°C (104°F)

#### Cold Weather Starting:

Minimum starting temperature is -40°C (-40°F)

### Thermal Management:

Superior thermal management design with external Air-Flow fins provides maximum operational life, even in high ambient temperature environments

### Housing:

Die cast aluminum housing, lens frame and mounting arm

### Mounting:

Universal mounting arm compatible for hole spacing patterns from 1" to 5 1/2" center to center. Round Pole Adaptor plate included as a standard. Easy slide and lock to mount fixture with ease. Round pole diameter must be >4" to mount fixtures at 90° orientation.

### Reflector:

Specular vacuum-metallized polycarbonate

### Gaskets:

High temperature silicone gaskets

### Finish:

Formulated for high-durability and long lasting color

### Green Technology:

Mercury and UV-free. RoHS compliant components.

### Other

#### Patents:

The ALED™ design is protected by patents pending in the U.S., Canada, China, Taiwan and Mexico.

## Technical Specifications (continued)

### Other

#### Warranty:

RAB warrants that our LED products will be free from defects in materials and workmanship for a period of five (5) years from the date of delivery to the end user, including coverage of light output, color stability, driver performance and fixture finish. RAB's warranty is subject to all terms and conditions found at

#### Equivalency:

Replaces 200W Metal Halide

#### Buy American Act Compliance:

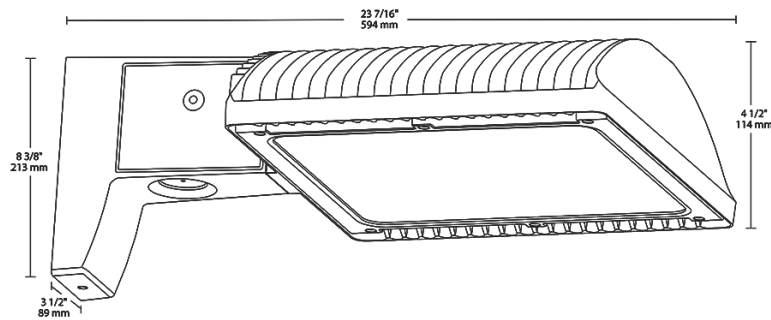
RAB values USA manufacturing! Upon request, RAB may be able to manufacture this product to be compliant with the Buy American Act (BAA). Please contact customer service to request a quote for the product to be made BAA compliant.

#### Optical

#### BUG Rating:

B1 U0 G1

## Dimensions



## Features

66% energy cost savings vs. HID

100,000-hour LED lifespan

5-Year, No Compromise Fixture Warranty and 10-Year, No Compromise Lightcloud Warranty