



Color: Black

Weight: 32.0 lbs

|                     |              |
|---------------------|--------------|
| <b>Project:</b>     | <b>Type:</b> |
| <b>Prepared By:</b> | <b>Date:</b> |

| Driver Info  |                  | LED Info        |              |
|--------------|------------------|-----------------|--------------|
| Type:        | Constant Current | Watts:          | 150W         |
| 120V:        | 1.31A            | Color Temp:     | 3000K (Warm) |
| 208V:        | N/A              | Color Accuracy: | 70 CRI       |
| 240V:        | N/A              | L70 Lifespan:   | 100,000      |
| 277V:        | N/A              | Lumens:         | 15,966       |
| Input Watts: | 154W             | Efficacy:       | 104 LPW      |
| Efficiency:  | 98%              |                 |              |

## Technical Specifications

### Electrical

#### Photocell:

120V Swivel Photocell Included. Photocell is only compatible with 120V.

#### Driver:

One Driver, Constant Current, Class 2, 2100mA 100-277V, 50-60Hz, Power Factor 99%

#### Surge Protection:

4kV

### Listings

#### UL Listing:

Suitable for wet locations

#### IESNA LM-79 & LM-80 Testing:

RAB LED luminaires and LED components have been tested by an independent laboratory in accordance with IESNA LM-79 and LM-80.

### LED Characteristics

#### Lifespan:

100,000-hour LED lifespan based on IES LM-80 results and TM-21 calculations

#### LEDs:

Multi-chip, high-output, long-life LEDs

#### Color Consistency:

3-step MacAdam Ellipse binning to achieve consistent fixture-to-fixture color

#### Color Stability:

LED color temperature is warranted to shift no more than 200K in CCT over a 5 year period

#### Color Uniformity:

RAB's range of CCT (Correlated Color Temperature) follows the guidelines of the American National Standard for Specifications for the Chromaticity of Solid State Lighting (SSL) Products, ANSI C78.377-2017.

### Construction

#### Effective Projected Area:

EPA = 0.75

#### Maximum Ambient Temperature:

Suitable for use in 40°C (104°F)

#### Cold Weather Starting:

Minimum starting temperature is -40°C (-40°F)

#### Thermal Management:

Superior thermal management with external "Air-Flow" fins

#### Lens:

Tempered glass lens

#### Housing:

Die-cast aluminum housing, lens frame and mounting arm

#### IP Rating:

Ingress Protection rating of IP66 for dust and water

#### Mounting:

Universal mounting arm compatible for hole spacing patterns from 1" to 5 1/2" center to center. Round Pole Adaptor plate included as a standard. Easy slide and lock to mount fixture with ease. Round pole diameter must be >4" to mount fixtures at 90° orientation.

#### Reflector:

Specular vacuum-metallized polycarbonate

#### Gaskets:

High-temperature silicone gaskets

#### Finish:

Formulated for high-durability and long lasting color

#### Green Technology:

Mercury and UV-free. RoHS compliant components.

### Other

#### Compatibility:

Compatible with Round Poles with a diameter of 2.5" to 6"

#### Warranty:

RAB warrants that our LED products will be free from defects in materials and workmanship for a period of five (5) years from the date of delivery to the end user, including coverage of light output, color stability, driver performance and fixture finish. RAB's warranty is subject to all terms and conditions found at

#### Equivalency:

Equivalent to 400W Metal Halide

#### Buy American Act Compliance:

RAB values USA manufacturing! Upon request, RAB may be able to manufacture this product to be compliant with the Buy American Act (BAA). Please contact customer service to request a quote for the product to be made BAA compliant.

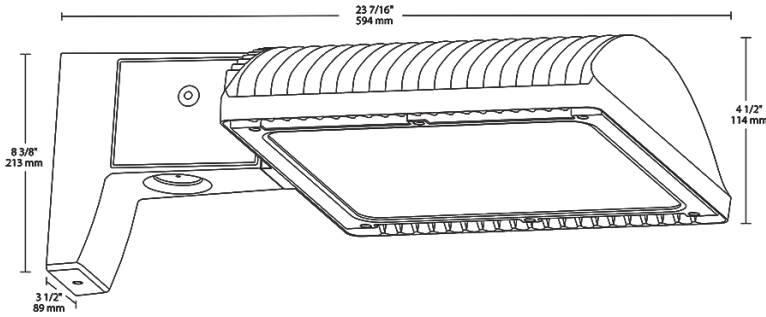
## Technical Specifications (continued)

### Optical

#### BUG Rating:

B1 U0 G2

### Dimensions



### Features

- 66% energy cost savings vs. HID
- 100,000-hour LED lifespan
- 5-year warranty

### Ordering Matrix

| Family      | Optics        | Wattage                  | Mounting           | Color Temp           | Finish                 | Driver Options                         | Options   | Other Options       |
|-------------|---------------|--------------------------|--------------------|----------------------|------------------------|--|---|---------------------|
| <b>ALED</b> | <b>3T</b>     | <b>150</b>               | <b>^</b>           | <b>Y</b>             | <b>K</b>               | <b>^</b>                               | <b>/PCS</b>   | <b>^</b>            |
|             | 4T = Type IV  | 50 = 50W<br>78 = 78W     | Blank = Pole mount | Blank = 5000K (Cool) | Blank = Bronze         | Blank = 120-277V                       | Blank = No Option   | Blank = Standard    |
|             | 3T = Type III | 105 = 105W               | SF = Slipfitter    | N = 4000K (Neutral)  | RG = Roadway Gray      | /480 = 480V                            | /LC = Lightcloud® Controller  | USA = BAA Compliant |
|             | 2T = Type II  | 125 = 125W<br>150 = 150W |                    | Y = 3000K (Warm)     | W = White<br>K = Black | /BL = Bi-Level<br>/D10 = 0-10V Dimming | /PCS = 120V Swivel Photocell<br>/PCS2 = 277V Swivel Photocell<br>/PCT = 120-277V Twistlock Photocell<br>/PCS4 = 480V Swivel Photocell<br>/PCT4 = 480V Twistlock Photocell |                     |
|             |               |                          |                    |                      |                        |  | /WS2 = Multi-Level Motion Sensor 20 ft.<br>/WS4 = Multi-Level Motion Sensor 40 ft.  |                     |