

# ALED3T78SFRG/BL



Specification grade area lights available with IES Type III distribution. For use for roadway, general parking and other area lighting applications where a larger pool of lighting is required. Patent pending thermal management system. 5 Year Warranty.

Color: Gray

Weight: 32.0 lbs

Project:

Type:

Prepared By:

Date:

### Driver Info

|              |                  |
|--------------|------------------|
| Type:        | Constant Current |
| 120V:        | 0.66A            |
| 208V:        | 0.41A            |
| 240V:        | 0.35A            |
| 277V:        | 0.30A            |
| Input Watts: | 78W              |
| Efficiency:  | 99%              |

### LED Info

|                 |        |
|-----------------|--------|
| Watts:          | 78W    |
| Color Temp:     | 5100K  |
| Color Accuracy: | 67 CRI |
| L70 Lifespan:   | 100000 |
| Lumens:         | 6,911  |
| Efficacy:       | 88 LPW |

## Technical Specifications

### Other

#### ALED3T78SF with Bi-Level Operation:

Allows 50% and 100% output modes.

#### California Title 24:

ALED3T78SF/BL with bi-level operation complies with 2013 California Title 24 building and electrical codes as a commercial outdoor pole-mounted fixture > 75 Watts mounted up to 24 feet when used with a RAB photo/motion control. Select a photo/motion control using catalog number STL110, STL200 or STL360. Mounting heights greater than 24 feet require only a photocell. See ALED3T78SF/PCS, ALED3T78SF/PCS2 or ALED3T78SF/PCT for photocell versions.

#### Warranty:

RAB warrants that our LED products will be free from defects in materials and workmanship for a period of five (5) years from the date of delivery to the end user, including coverage of light output, color stability, driver performance and fixture finish.

#### Patents:

The ALED design is protected by patents in the U.S. Pat. 668,370, Canada Pat. 144956, China ZL201230100154.X, and Mexico Pat. 38423. Pending patents in Taiwan.

#### Country of Origin:

Designed by RAB in New Jersey and assembled in the USA by RAB's IBEW Local 3 workers.

#### Buy American Act Compliant:

This product is a COTS item manufactured in the United States, and is compliant with the Buy American Act.

#### Recovery Act (ARRA) Compliant:

This product complies with the 52.225-21 "Required Use of American Iron, Steel, and Manufactured Goods-- Buy American Act-- Construction Materials (October 2010).

#### Trade Agreements Act Compliant:

This product is a COTS item manufactured in the United States, and is compliant with the Trade Agreements Act.

#### GSA Schedule:

Suitable in accordance with FAR Subpart 25.4.

### Listings

#### UL Listing:

Suitable for wet locations as a downlight.

#### IESNA LM-79 & IESNA LM-80 Testing:

RAB LED luminaires have been tested by an independent laboratory in accordance with IESNA LM-79 and 80, and have received the Department of Energy "Lighting Facts" label.

### Optical

#### Lumen Maintenance:

100,000-hour LED lifespan based on IES LM-80 results and TM-21 calculations.

#### Replacement:

The ALED78 replaces 250W Metal Halide Area Lights.

### Construction

#### IP Rating:

Ingress Protection rating of IP66 for dust and water.

#### IES Classification:

The Type III distribution is ideal for roadway, general parking, and other area lighting applications where a larger pool of lighting is required. It is intended to be located near the side of the area, allowing the light to project outward and fill the area.

#### Ambient Temperature:

Suitable for use in 40°C ambient temperatures.

#### Cold Weather Starting:

The minimum starting temperature is -40°C/-40°F

#### Thermal Management:

Superior heat sinking with external Air-Flow fins.

### Effective Projected Area:

EPA = 2.2

### Housing:

Die cast aluminum housing, lens frame and mounting arm.

### Mounting:

Slipfitter with 180° pivot available for mounting on 2 3/8" tenon.

### Reflector:

Specular vacuum-metallized polycarbonate

### Gaskets:

High temperature silicone gaskets.

### Finish:

Our environmentally friendly polyester powder coatings are formulated for high-durability and long-lasting color, and contains no VOC or toxic heavy metals.

### Green Technology:

Mercury and UV free. RoHS compliant components. Polyester powder coat finish formulated without the use of VOC or toxic heavy metals.

### For use on LEED Buildings:

IDA Dark Sky Approval means that this fixture can be used to achieve LEED Credits for Light Pollution Reduction.

## Technical Specifications (continued)

### LED Characteristics

#### LEDs:

Six (6) multi-chip, 13W, high-output, long-life LEDs.

#### Color Consistency:

7-step MacAdam Ellipse binning to achieve consistent fixture-to-fixture color.

#### Color Stability:

LED color temperature is warranted to shift no more than 200K in CCT over a 5 year period.

### Color Uniformity:

RAB's range of CCT (Correlated Color Temperature) follows the guidelines of the American National Standard for Specifications for the Chromaticity of Solid State Lighting (SSL) Products, ANSI C78.377-2011.

### Electrical

#### Driver:

(2) Drivers Constant Current, Class 2, 1050mA, 100-277V, 50/60Hz, 0.6A, Power Factor 99%

#### Surge Protection:

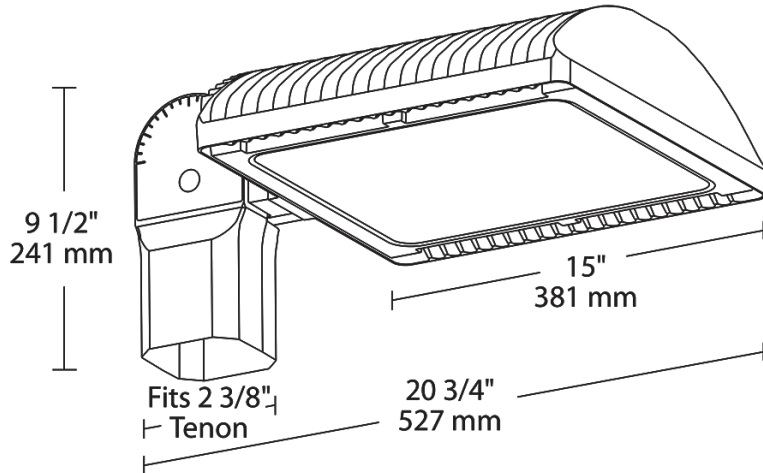
4kV

### Surge Protector:

ALED78 is available with a 6kV surge protector (SP6). SP6 available .

# ALED3T78SFRG/BL

## Dimensions



## Features

- 66% energy cost savings vs. HID
- 100,000-hour LED lifespan
- Type III distribution
- 5-year warranty

## Ordering Matrix

| Family | Distribution  | Watts    | Mount      | Color Temp    | Finish    | Voltage                  | Photocell            | Dimming         | Bi-Level       |
|--------|---------------|----------|------------|---------------|-----------|--------------------------|----------------------|-----------------|----------------|
| ALED   |               |          |            |               |           |                          |                      |                 |                |
|        | 2T = Type II  | 360 =    | Blank =    | Blank = 5000K | Blank =   | Blank = 120-277V         | Blank = No Photocell | Blank = No      | Blank = No Bi- |
|        | 3T = Type III | 360W     | Arm        | (Cool)        | Bronze =  | /480 = 480V (Only 360W & | /PC = 120V Button    | Dimming         | Level          |
|        | 4T = Type IV  | 260 =    | SF =       | Y = 3000K     | W = White | 260W)                    | /PC2 = 277V Button   | /D10 = Dimmable | /BL = Bi-Level |
|        |               | 260W     | Slipfitter | (Warm)        | RG = Gray |                          | /PCS = 120V Swivel   |                 |                |
|        |               | 150 =    |            | N = 4000K     |           |                          | /PCS2 = 277V Swivel  |                 |                |
|        |               | 150W     |            | (Neutral)     |           |                          | /PCT = 120-277V      |                 |                |
|        |               | 125 =    |            |               |           |                          | Twistlock            |                 |                |
|        |               | 125W     |            |               |           |                          | /PCS4 = 480V Swivel  |                 |                |
|        |               | 105 =    |            |               |           |                          | /PCT4 = 480V         |                 |                |
|        |               | 105W     |            |               |           |                          | Twistlock            |                 |                |
|        |               | 78 = 78W |            |               |           |                          |                      |                 |                |