



Specification grade area lights available with IES Type III distribution. For use for roadway, general parking and other area lighting applications where a larger pool of lighting is required. Patent pending thermal management system. 5 Year Warranty.

Color: Gray

Weight: 32.0 lbs

|                     |              |
|---------------------|--------------|
| <b>Project:</b>     | <b>Type:</b> |
| <b>Prepared By:</b> | <b>Date:</b> |

| Driver Info  |                  | LED Info        |        |
|--------------|------------------|-----------------|--------|
| Type:        | Constant Current | Watts:          | 78W    |
| 120V:        | 0.66A            | Color Temp:     | 3000K  |
| 208V:        | N/A              | Color Accuracy: | 82 CRI |
| 240V:        | N/A              | L70 Lifespan:   | 100000 |
| 277V:        | N/A              | Lumens:         | 5,607  |
| Input Watts: | 79W              | Efficacy:       | 71 LPW |
| Efficiency:  | 99%              |                 |        |

## Technical Specifications

### Electrical

#### Photocell:

120V Swivel Photocell Included. Photocell is only compatible with 120V.

#### Driver:

Constant Current, Class 2, 2000mA, 100-277V, 50-60Hz, 1.1A, Power Factor 99%

#### THD:

4.4% at 120V, 12.4% at 277V

#### Surge Protection:

4kV

#### Surge Protector:

ALED78 is available with a 6kV surge protector (SP6). SP6 available .

### Listings

#### UL Listing:

Suitable for wet locations as a downlight.

#### IESNA LM-79 & IESNA LM-80 Testing:

RAB LED luminaires have been tested by an independent laboratory in accordance with IESNA LM-79 and 80, and have received the Department of Energy "Lighting Facts" label.

### Optical

#### Lumen Maintenance:

100,000-hour LED lifespan based on IES LM-80 results and TM-21 calculations.

#### Replacement:

The ALED78 replaces 250W Metal Halide Area Lights.

#### BUG Rating:

B1 U0 G2

### Construction

#### IES Classification:

The Type III distribution is ideal for roadway, general parking and other area lighting applications where a larger pool of lighting is required. It is intended to be located near the side of the area, allowing the light to project outward and fill the area.

#### IP Rating:

Ingress Protection rating of IP66 for dust and water.

#### Ambient Temperature:

Suitable for use in 40°C ambient temperatures.

#### Cold Weather Starting:

The minimum starting temperature is -40°C/-40°F

#### Thermal Management:

Superior heat sinking with external Air-Flow fins.

#### Effective Projected Area:

EPA = 2.2

#### Housing:

Die cast aluminum housing, lens frame and mounting arm.

#### Mounting:

Slipfitter with 180° pivot available for mounting on 2 3/8" tenon.

#### Reflector:

Specular vacuum-metallized polycarbonate

#### Gaskets:

High temperature silicone gaskets.

#### Finish:

Our environmentally friendly polyester powder coatings are formulated for high-durability and long-lasting color, and contains no VOC or toxic heavy metals.

#### Green Technology:

Mercury and UV free. RoHS compliant components. Polyester powder coat finish formulated without the use of VOC or toxic heavy metals.

#### For use on LEED Buildings:

IDA Dark Sky Approval means that this fixture can be used to achieve LEED Credits for Light Pollution Reduction.

### LED Characteristics

#### LEDs:

Six (6) multi-chip, 13W, high-output, long-life LEDs.

#### Color Consistency:

3-step MacAdam Ellipse binning to achieve consistent fixture-to-fixture color.

#### Color Stability:

LED color temperature is warrantied to shift no more than 200K in CCT over a 5 year period.

## Technical Specifications (continued)

### LED Characteristics

#### Color Uniformity:

RAB's range of CCT (Correlated Color Temperature) follows the guidelines of the American National Standard for Specifications for the Chromaticity of Solid State Lighting (SSL) Products, ANSI C78.377-2011.

#### Other

#### California Title 24:

ALED3T78SF/PCS with the swivel photocell (120V) option complies with 2013 California Title 24 building and electrical codes as a commercial outdoor pole-mounted fixture > 75 Watts at mounting heights greater than 24 feet.

#### Warranty:

RAB warrants that our LED products will be free from defects in materials and workmanship for a period of five (5) years from the date of delivery to the end user, including coverage of light output, color stability, driver performance and fixture finish.

#### Patents:

The ALED design is protected by patents in the U.S. Pat. 668,370, Canada Pat. 144956, China ZL201230100154.X, and Mexico Pat. 38423. Pending patents in Taiwan.

#### Country of Origin:

Designed by RAB in New Jersey and assembled in the USA by RAB's IBEW Local 3 workers.

#### Buy American Act Compliant:

This product is a COTS item manufactured in the United States, and is compliant with the Buy American Act.

#### Recovery Act (ARRA) Compliant:

This product complies with the 52.225-21 "Required Use of American Iron, Steel, and Manufactured Goods-- Buy American Act-- Construction Materials (October 2010).

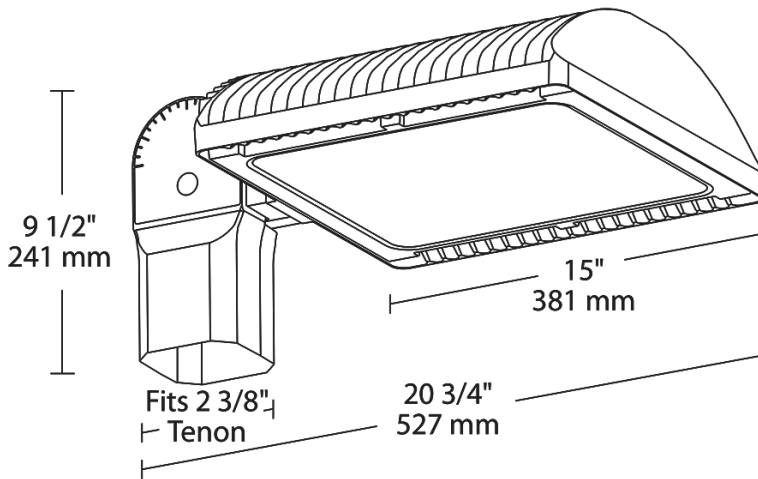
#### Trade Agreements Act Compliant:

This product is a COTS item manufactured in the United States, and is compliant with the Trade Agreements Act.

#### GSA Schedule:

Suitable in accordance with FAR Subpart 25.4.

### Dimensions



### Features

- 66% energy cost savings vs. HID
- 100,000-hour LED lifespan
- Type III distribution
- 5-year warranty

### Ordering Matrix

| Family | Distribution  | Watts      | Mount           | Color Temp           | Finish         | Voltage                        | Photocell                 | Dimming            | Bi-Level            |
|--------|---------------|------------|-----------------|----------------------|----------------|--------------------------------|---------------------------|--------------------|---------------------|
| ALED   |               |            |                 |                      |                |                                |                           |                    |                     |
|        | 2T = Type II  | 360 = 360W | Blank = Arm     | Blank = 5000K (Cool) | Blank = Bronze | Blank = 120-277V               | Blank = No Photocell      | Blank = No Dimming | Blank = No Bi-Level |
|        | 3T = Type III | 260 = 260W | SF = Slipfitter | Y = 3000K (Warm)     | W = White      | /480 = 480V (Only 360W & 260W) | /PC = 120V Button         | /D10 = Dimmable    | /BL = Bi-Level      |
|        | 4T = Type IV  | 150 = 150W |                 | N = 4000K (Neutral)  | RG = Gray      |                                | /PC2 = 277V Button        |                    |                     |
|        |               | 125 = 125W |                 |                      |                |                                | /PCS = 120V Swivel        |                    |                     |
|        |               | 105 = 105W |                 |                      |                |                                | /PCS2 = 277V Swivel       |                    |                     |
|        |               | 78 = 78W   |                 |                      |                |                                | /PCT = 120-277V Twistlock |                    |                     |
|        |               |            |                 |                      |                |                                | /PCS4 = 480V Swivel       |                    |                     |
|        |               |            |                 |                      |                |                                | /PCT4 = 480V Twistlock    |                    |                     |