

# ALED4T105SFRG/BL



Specification grade area lights available with IES Type IV distribution. Suited for mounting on the sides of buildings and walls, and for illuminating the perimeter of parking areas. Patent pending management system. 5 Year Warranty.

Color: Gray

Weight: 32.0 lbs

Project:

Type:

Prepared By:

Date:

### Driver Info

|              |                  |
|--------------|------------------|
| Type:        | Constant Current |
| 120V:        | 0.89A            |
| 208V:        | 0.58A            |
| 240V:        | 0.50A            |
| 277V:        | 0.44A            |
| Input Watts: | 106W             |
| Efficiency:  | 99%              |

### LED Info

|                 |        |
|-----------------|--------|
| Watts:          | 105W   |
| Color Temp:     | 5000K  |
| Color Accuracy: | 65 CRI |
| L70 Lifespan:   | 100000 |
| Lumens:         | 10,384 |
| Efficacy:       | 98 LPW |

## Technical Specifications

### Other

#### ALED4T105SF with Bi-Level Operation:

Allows 50% and 100% output modes.

#### California Title 24:

ALED4T105SF/BL with bi-level operation complies with 2013 California Title 24 building and electrical codes as a commercial outdoor pole-mounted fixture > 75 Watts mounted up to 24 feet when used with a RAB photo/motion control. Select a photo/motion control using catalog number STL110, STL200 or STL360. Mounting heights greater than 24 feet require only a photocell. See ALED4T105SF/PCS, ALED4T105SF/PCS2 or ALED4T105SF/PCT for photocell versions.

#### Warranty:

RAB warrants that our LED products will be free from defects in materials and workmanship for a period of five (5) years from the date of delivery to the end user, including coverage of light output, color stability, driver performance and fixture finish.

#### Country of Origin:

Designed by RAB in New Jersey and assembled in the USA by RAB's IBEW Local 3 workers.

#### Buy American Act Compliant:

This product is a COTS item manufactured in the United States, and is compliant with the Buy American Act.

#### Recovery Act (ARRA) Compliant:

This product complies with the 52.225-21 "Required Use of American Iron, Steel, and Manufactured Goods-- Buy American Act-- Construction Materials (October 2010).

#### Trade Agreements Act Compliant:

This product is a COTS item manufactured in the United States, and is compliant with the Trade Agreements Act.

#### GSA Schedule:

Suitable in accordance with FAR Subpart 25.4.

### Listings

#### UL Listing:

Suitable for wet locations.

#### IESNA LM-79 & LM-80 Testing:

RAB LED luminaires have been tested by an independent laboratory in accordance with IESNA LM-79 and LM-80, and have been received the Department of Energy "Lighting Facts" label.

### LED Characteristics

#### Lifespan:

100,000-hour LED lifespan based on IES LM-80 results and TM-21 calculations.

#### LEDs:

Multi-chip, high-output, long-life LEDs

#### Color Stability:

LED color temperature is warranted to shift no more than 200K in CCT over a 5 year period.

#### Color Uniformity:

RAB's range of CCT (Correlated Color Temperature) follows the guidelines of the American National Standard for Specifications for the Chromaticity of Solid State Lighting (SSL) Products, ANSI C78.377-2011.

### Construction

#### IES Classification:

The Type IV distribution (also known as a Forward Throw) is especially suited for mounting on the sides of buildings and walls, and for illuminating the perimeter of parking areas. It produces a semiCircular distribution with essentially the same candlepower at lateral angles from 90° to 270°.

#### Effective Projected Area:

EPA = 2.2

#### Maximum Ambient Temperature:

Suitable for use in 40°C (104°F) ambient temperatures

#### Cold Weather Starting:

The minimum starting temperature is -40°C/-40°F

#### Thermal Management:

Superior thermal management with external Air-Flow fins.

#### Housing:

Die-cast aluminum housing, lens frame and mounting arm.

#### Mounting:

Heavy-duty mounting arm with "O" ring seal & stainless steel screws

#### Reflector:

Specular vacuum-metallized polycarbonate

#### Gaskets:

High-temperature silicone gaskets

#### IP Rating:

Ingress Protection rating of IP66 for dust and water.

#### Finish:

Our environmentally friendly polyester powder coatings are formulated for high-durability and long-lasting color, and contains no VOC or toxic heavy metals.

#### Green Technology:

Mercury and UV free. RoHS compliant components. Polyester powder coat finish formulated without the use of VOC or toxic heavy metals.

## Technical Specifications (continued)

### Construction

#### For use on LEED Buildings:

IDA Dark Sky Approval means that this fixture can be used to achieve LEED Credits for Light Pollution Reduction.

### Electrical

#### Drivers:

Two Drivers, Constant Current, Class 2, 1400mA, 100-277V, 50/60Hz, 0.8A, Power Factor 99%

#### THD:

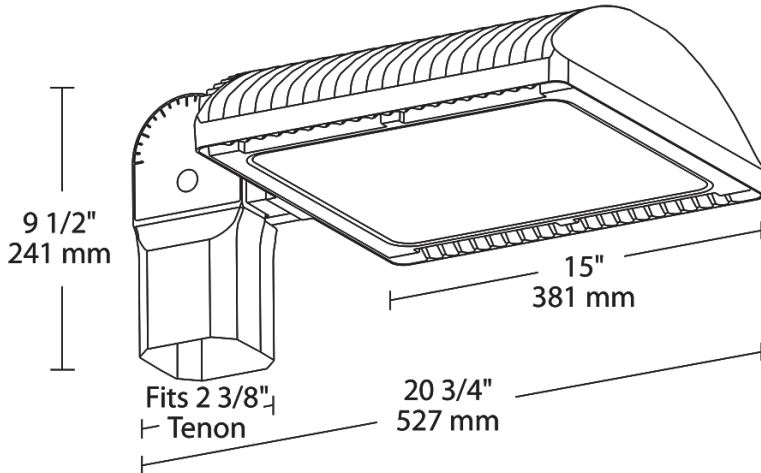
7.6% at 120V, 16.5% at 277V

#### Surge Protection:

4kV

# ALED4T105SFRG/BL

## Dimensions



## Features

- 66% energy cost savings vs. HID
- 100,000-hour LED lifespan
- Type IV distribution
- 5-year warranty

## Ordering Matrix

| Family | Distribution  | Watts    | Mount      | Color Temp    | Finish    | Voltage                  | Photocell            | Dimming         | Bi-Level       |
|--------|---------------|----------|------------|---------------|-----------|--------------------------|----------------------|-----------------|----------------|
| ALED   |               |          |            |               |           |                          |                      |                 |                |
|        | 2T = Type II  | 360 =    | Blank =    | Blank = 5000K | Blank =   | Blank = 120-277V         | Blank = No Photocell | Blank = No      | Blank = No Bi- |
|        | 3T = Type III | 360W     | Arm        | (Cool)        | Bronze =  | /480 = 480V (Only 360W & | /PC = 120V Button    | Dimming         | Level          |
|        | 4T = Type IV  | 260 =    | SF =       | Y = 3000K     | W = White | 260W)                    | /PC2 = 277V Button   | /D10 = Dimmable | /BL = Bi-Level |
|        |               | 260W     | Slipfitter | (Warm)        | RG = Gray |                          | /PCS = 120V Swivel   |                 |                |
|        |               | 150 =    |            | N = 4000K     |           |                          | /PCS2 = 277V Swivel  |                 |                |
|        |               | 150W     |            | (Neutral)     |           |                          | /PCT = 120-277V      |                 |                |
|        |               | 125 =    |            |               |           |                          | Twistlock            |                 |                |
|        |               | 125W     |            |               |           |                          | /PCS4 = 480V Swivel  |                 |                |
|        |               | 105 =    |            |               |           |                          | /PCT4 = 480V         |                 |                |
|        |               | 105W     |            |               |           |                          | Twistlock            |                 |                |
|        |               | 78 = 78W |            |               |           |                          |                      |                 |                |