



Color: Black

Weight: 32.0 lbs

| | |
|---------------------|--------------|
| Project: | Type: |
| Prepared By: | Date: |

| Driver Info | | LED Info | |
|--------------|------------------|-----------------|-----------------|
| Type: | Constant Current | Watts: | 125W |
| 120V: | N/A | Color Temp: | 4000K (Neutral) |
| 208V: | 0.58A | Color Accuracy: | 72 CRI |
| 240V: | 0.50A | L70 Lifespan: | 100,000 |
| 277V: | 0.44A | Lumens: | 15,871 |
| Input Watts: | 134W | Efficacy: | 118 LPW |
| Efficiency: | 93% | | |

Technical Specifications

Electrical

Photocell:

480V Photocell Included. Photocell is only compatible with 480V.

THD:

15.1% at 480V

Drivers:

Two Drivers, Constant Current, Class 2, 1750mA, 347-480V, 50/60Hz, 0.30A, Power Factor 94.1%

Ballast Volts:

480V

Surge Protection:

4kV

Listings

UL Listing:

Suitable for wet locations

IESNA LM-79 & LM-80 Testing:

RAB LED luminaires and LED components have been tested by an independent laboratory in accordance with IESNA LM-79 and LM-80.

LED Characteristics

Lifespan:

100,000-hour LED lifespan based on IES LM-80 results and TM-21 calculations

LEDs:

Multi-chip, high-output, long-life LEDs

Color Stability:

LED color temperature is warranted to shift no more than 200K in CCT over a 5 year period

Color Uniformity:

RAB's range of CCT (Correlated Color Temperature) follows the guidelines of the American National Standard for Specifications for the Chromaticity of Solid State Lighting (SSL) Products, ANSI C78.377-2017.

Construction

IES Classification:

The Type IV distribution (also known as a Forward Throw) is especially suited for mounting on the sides of buildings and walls, and for illuminating the perimeter of parking areas. It produces a semiCircular distribution with essentially the same candlepower at lateral angles from 90° to 270°.

Effective Projected Area:

EPA = 0.75

Maximum Ambient Temperature:

Suitable for use in 40°C (104°F)

Cold Weather Starting:

Minimum starting temperature is -40°C (-40°F)

Thermal Management:

Superior thermal management with external "Air-Flow" fins

Lens:

Tempered glass lens

Housing:

Die-cast aluminum housing, lens frame and mounting arm

Mounting:

Universal mounting arm compatible for hole spacing patterns from 1" to 5 1/2" center to center. Round Pole Adaptor plate included as a standard. Easy slide and lock to mount fixture with ease. Round pole diameter must be >4" to mount fixtures at 90° orientation.

Reflector:

Specular vacuum-metallized polycarbonate

Gaskets:

High-temperature silicone gaskets

IP Rating:

Ingress Protection rating of IP66 for dust and water

Finish:

Formulated for high-durability and long lasting color

Green Technology:

Mercury and UV-free. RoHS compliant components.

Other

Compatibility:

Compatible with Round Poles with a diameter of 2.5" to 6"

Warranty:

RAB warrants that our LED products will be free from defects in materials and workmanship for a period of five (5) years from the date of delivery to the end user, including coverage of light output, color stability, driver performance and fixture finish. RAB's warranty is subject to all terms and conditions found at

Technical Specifications (continued)

Other

Equivalency:

Replaces 350W Metal Halide

Buy American Act Compliance:

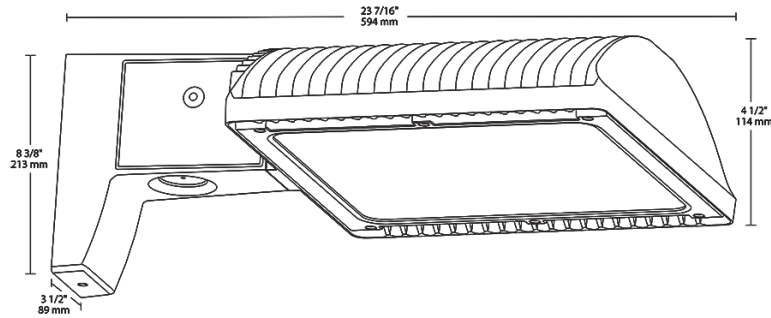
RAB values USA manufacturing! Upon request, RAB may be able to manufacture this product to be compliant with the Buy American Act (BAA). Please contact customer service to request a quote for the product to be made BAA compliant.

Optical

BUG Rating:

B1 U0 G2

Dimensions



Features

- 66% energy cost savings vs. HID
- 100,000-hour LED lifespan
- 5-year warranty

Ordering Matrix

| Family | Optics | Wattage | Mounting | Color Temp | Finish | Driver Options | Options | Other Options |
|-------------|---------------|--------------------------|---------------------------------------|---|---|---|--|---|
| ALED | 4T | 125 | ^ | N | K | /480 | /PCT4 | ^ |
| | 4T = Type IV | 50 = 50W 78 = 78W | Blank = Pole mount SF = Slipfitter | Blank = 5000K (Cool) N = 4000K (Neutral) Y = 3000K (Warm) | Blank = Bronze RG = Roadway Gray W = White K = Black | Blank = 120-277V /480 = 480V /BL = Bi-Level /D10 = 0-10V Dimming | Blank = No Option /LC = Lightcloud® Controller /PCS = 120V Swivel Photocell /PCS2 = 277V Swivel Photocell /PCT = 120-277V Twistlock Photocell /PCS4 = 480V Swivel Photocell /PCT4 = 480V Twistlock Photocell /WS2 = Multi-Level Motion Sensor 20 ft. /WS4 = Multi-Level Motion Sensor 40 ft. | Blank = Standard USA = BAA Compliant |
| | 3T = Type III | 105 = 105W | | | | | | |
| | 2T = Type II | 125 = 125W 150 = 150W | | | | | | |