



Economical linear high bay delivers versatility and ultra-high efficiency. Available in 8 wattages and three sizes, for mounting heights ranging from 15 to 60 feet. Patent pending, retractable design reduces volume by up to 60% to save valuable shelf and storage space.

Color: White

Weight: 12.8 lbs

<b>Project:</b>	<b>Type:</b>
<b>Prepared By:</b>	<b>Date:</b>

Driver Info		LED Info	
Type	Constant Current	Watts	160.00W
120V	1.32A	Color Temp	5000K (Cool)
208V	N/A	Color Accuracy	85 CRI
240V	N/A	L70 Lifespan	100,000
277V	N/A	Lumens	21,922
Input Watts	158.83W	Efficacy	138 LPW
Efficiency	N/A		

## Technical Specifications

### Listings

#### UL Listed:

Suitable for damp locations

#### IESNA LM-79 & LM-80 Testing:

RAB LED luminaires and LED components have been tested by an independent laboratory in accordance with IESNA LM-79 and LM-80.

#### DLC Listed:

This product is listed by Design Lights Consortium (DLC) as an ultra-efficient premium product that qualifies for the highest tier of rebates from DLC Member Utilities. DLC Product Code: P0QH55ZN

### LED Characteristics

#### Lifespan:

100,000-hour LED lifespan based on IES LM-80 results and TM-21 calculations

#### LEDs:

Multi-chip, high-output, long-life LEDs

#### Color Uniformity:

RAB's range of CCT (Correlated Color Temperature) follows the guidelines of the American National Standard for Specifications for the Chromaticity of Solid State Lighting (SSL) Products, ANSI C78.377-2017.

### Construction

#### Operating Temperature:

-20°C (-4°F) - 50°C (122°F)

### Housing:

22 gauge die formed with white powder coat finish. Y Hooks included for easy chain or cable mounting.

### Reflector:

White painted, reflective, die formed painted steel

### Lens:

Polycarbonate lens

### Mounting:

V hooks and optional pendant mounting. AEROBAY® comes with two 42" chains.

### Cord & Plug:

8 ft. cord and NEMA L7-15P twistlock plug for 277V only.

### Finish:

Our environmentally friendly polyester powder coatings are formulated for high-durability and long-lasting color

### Green Technology:

Mercury and UV free. RoHS-compliant components.

### Electrical

#### Driver:

Class 2, Constant Current, 120-277V, 50/60 Hz, 120V: 1.32A, 208V: 0.77A, 240V: 0.67A, 277V: 0.58A

#### THD:

5.8% at 120V, 7.3% at 277V

#### Power Factor:

99.9% at 120V, 97.4% at 277V

#### Battery Backup:

Emergency battery backup will operate the fixture for 90 minutes if power fails. Wired for 120-277V.

#### Surge Protection:

2.5kV

For areas prone to surges, upgrade to 10kV surge protection available

## Technical Specifications (continued)

### Other

#### 5 Yr Limited Warranty:

The RAB 5-year, limited warranty covers light output, driver performance and paint finish. RAB's warranty is subject to all terms and conditions found at [rablighting.com/warranty](http://rablighting.com/warranty).

#### Buy American Act Compliance:

RAB values USA manufacturing! Upon request, RAB may be able to manufacture this product to be compliant with the Buy American Act (BAA). Please contact customer service to request a quote for the product to be made BAA compliant.

### Sensor Specifications

#### Passive Infrared Occupancy and Daylight Sensor:

PIR sensor with IR remote capability. High/Low bay passive infrared occupancy and daylight sensor.

#### UL Listed:

Indoor use only

#### Operating Temperature:

32°F to 158°F (0°C to 70°C)

#### Operating Humidity:

5% to 96%, noncondensing

#### Line Voltage:

Line Voltage for direct connection to load

#### Voltage:

120, 277, 347V, 60Hz or 230V, single phase, 50Hz operation

#### Power Consumption:

0.2W

#### Maximum Versatility:

Adjustable time delay and sensitivity  
Adjustable hold-off daylighting level

#### Weight:

6.4 oz (181 g)

#### Hardware:

UL listed snap-in mounting hardware

#### Mounting:

Easy mounting using knockout at end of linear high bay luminaire

#### Lens:

Lens (attached) designed for mounting heights from 15 to 40 feet

#### Rotatable Mask:

Snap-on rotatable mask for aisleway applications (included)

#### Coverage:

Covers a 100-foot diameter area when mounted at height of 40 feet

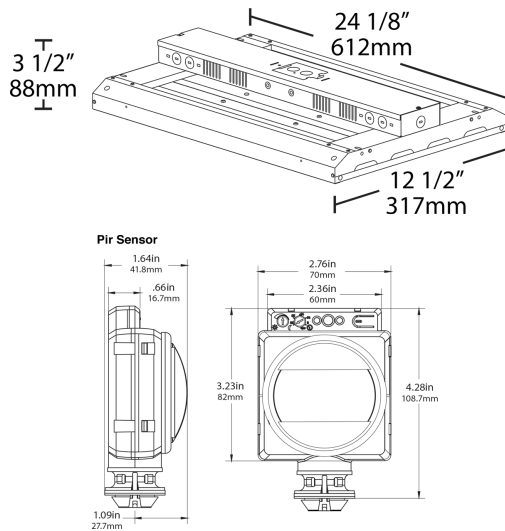
#### Factory Default:

15 minutes time delay  
Max sensitivity  
300 footcandle light level

#### Handheld Wireless Configuration Tool:

Adjust settings using handheld wireless configuration tool. Only available with 0-10V dimming driver options. [Handheld wireless configuration tool available here.](#)

## Dimensions



## Features

- High efficiency. Low price.
- Ideal for industrial warehouse spaces
- 100,000 hour LED lifespan
- 5-Year, Limited Warranty

## Coverage Pattern

Coverage Pattern



Top coverage pattern



Top coverage pattern with mask



Side coverage pattern



Side coverage pattern with mask

## Ordering Matrix

Family	Length		Wattage	Color Temp	Voltage	Control Options	Emergency Options	Other Options
ARBAY	2	-	160			/PIR	/E2	/8CPT2
	2 = 2 ft.		95 = 95W 120 = 120W 145 = 145W 160 = 160W	Blank = 5000K (Cool) N = 4000K (Neutral)	Blank = 120-277V, 0-10V Dimming /480 = 480V, 0-10V Dimming	Blank = No Options /PIR = 120-277V, Passive Infrared Occupancy Sensor /LC = 120-277V, Lightcloud Control /LCS = 120-277V, Lightcloud Motion Sensor	Blank = No Options /E2 = 120-277V, Emergency Battery <sup>1</sup>	Blank = No Options /SP10 = 10kV Surge Protection /8C = 8' Cord only <sup>2</sup> /8CP = 8' Cord, Straight Blade Plug 120V, NEMA 5-15P <sup>3</sup> /8CP2 = 8' Cord, Straight Blade Plug 277V, NEMA 7-15P <sup>3</sup> /8CPT = 8' Cord, Twistlock Plug 120V, NEMA L5-15P <sub>3</sub> /8CPT2 = 8' Cord, Twistlock Plug 277V, NEMA L7-15P <sup>3</sup> /8CPT4 = 8' Cord, Twistlock Plug 480V, NEMA L8-20P <sup>3</sup>

<sup>1</sup> For battery backup models with cord and plug dimming is not possible

<sup>2</sup> For cord only (8C) models, a 5 conductor cable will be used to make dimming possible

<sup>3</sup> For cord and plug (8CP, 8CP2, 8CPT, 8CPT2, 8CPT4) models 0-10V dimming is not possible