

Project:	Type:
Prepared By:	Date:

Driver Info		LED Info	
Type:	Constant Current	Watts:	90W
120V:	0.75A	Color Temp:	4000K
208V:	0.45A	Color Accuracy:	84 CRI
240V:	0.39A	L70 Lifespan:	50000
277V:	0.32A	Lumens:	11798
Input Watts:	88W	Efficacy:	133 LPW
Efficiency:	N/A		

Technical Specifications

Lightcloud

Lightcloud Sensor Installed:

The Lightcloud Sensor is a dual-technology motion detector that can switch and dim both local and remote circuits. It monitors power consumption, and can send an alert if power is lost..

Listings

UL Listing:

Suitable for damp locations.

IESNA LM-79 & LM-80 Testing:

RAB LED luminaires have been tested by an independent laboratory in accordance with IESNA LM-79 and LM-80, and have received the Department of Energy "Lighting Facts" label.

LED Characteristics

Lifespan:

50,000-hour LED lifespan based on IES LM-80 results and TM-21 calculations.

LEDs:

Long-life, high-efficiency, surface mount LEDs

Replacement:

90W replaces up to (4) F32T8, (3) F54T5 or 250W HID.

Color Stability:

LED color temperature is warranted to shift no more than 200K in CCT over a 5 year period.

Color Uniformity:

RAB's range of CCT (Correlated Color Temperature) follows the guidelines of the American National Standard for Specifications for the Chromaticity of Solid State Lighting (SSL) Products, ANSI C78.377-2015.

Electrical

Driver:

Constant Current, Class 2, 120-277V, 50/60Hz, 120V: 0.75A, 208V: 0.45A, 240V: 0.39A, 277V 0.32A

THD:

6.8% at 120V, 8.3% at 277V

Power Factor:

99.6% at 120V, 96.9% at 277V

Surge Protection:

4kV

Emergency Battery Backup:

Battery backup will operate the LED Lamp for 90 minutes if power fails. Wired for 120V-277V.

Construction

Operating Temperature:

-20°C (-45°F) - 55°C (131°F)

Housing:

Die formed painted steel

Lens:

Diffused Polymethyl Methacrylate (PMMA)

Mounting:

V hooks and optional pendant mounting

Finish:

Our environmentally friendly polyester powder coatings are formulated for high-durability and long-lasting color, and contain no VOC or toxic heavy metals.

Green Technology:

Mercury and UV free. RoHS compliant components. Polyester powder coat finish formulated without the use of VOC or toxic heavy metals.

Other

5 Yr Limited Warranty:

RAB warrants fixture operation and paint finish for a period of 5 years.

Country of Origin:

Designed by RAB in New Jersey and assembled in the USA by RAB's IBEW Local 3 workers.

Buy American Act Compliant:

This product is a COTS item manufactured in the United States, and is compliant with the Buy American Act.

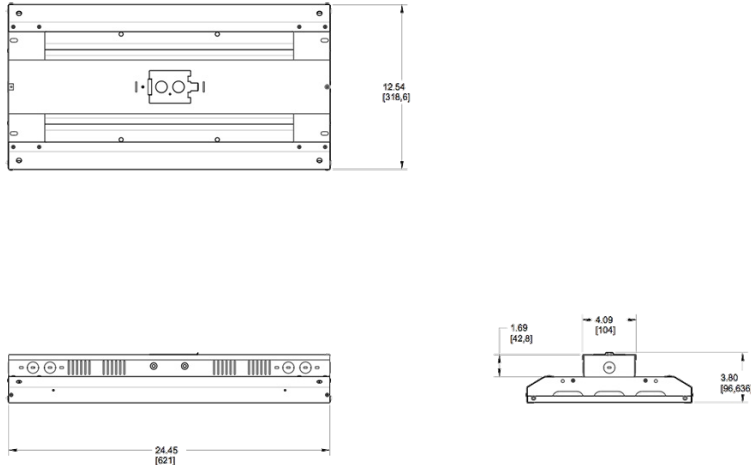
Recovery Act (ARRA) Compliant:

This product complies with the 52.225-21 "Required Use of American Iron, Steel, and Manufactured Goods-- Buy American Act-- Construction Materials (October 2010).

GSA Schedule:

Suitable in accordance with FAR Subpart 25.4.

Dimensions



Features

- High efficiency. Low price.
- Rated for high ambient environments up to 55° C
- Available with factory-installed Lightcloud controls
- Ideal for industrial warehouse spaces
- 50,000 hour LED lifespan
- 5-year limited warranty

Ordering Matrix

Family	Length	Wattage	Color Temp	Voltage	Control Options	Battery Backup	Cord & Plug
ARBAY	2	90	N		/LCS	/E2	
	2 = 2 ft. 4 = 4 ft/	90 = 90W 125 = 125W 175 = 175W 260 = 260W	Blank = 5000K (Cool) N = 4000K (Neutral)	Blank = 120-277V /480 = 480V	Blank = No Control Option /LCS = LCHBSENSE w/ mounting arm (120V - 277V) /LOS = LOSBAY800 w/ mounting arm (480V not available) /LC = Lightcloud (120V - 277V)	Blank = No Battery Backup /E2 = Battery Backup (120V - 277V)	Blank = No cord and plug /8C = 8 ft. cord, no plug /8CP = 8 ft. cord & straight plug, 120V /8CP2 = 8 ft. cord & straight plug, 277V /8CPT2 = 8 ft. cord & twistlock, 277V /8CPT4 = 8 ft. cord & twistlock, 480V