

<b>Project:</b>	<b>Type:</b>
<b>Prepared By:</b>	<b>Date:</b>

Driver Info		LED Info	
Type:	Constant Current	Watts:	260W
120V:	2.17A	Color Temp:	5000K
208V:	1.29A	Color Accuracy:	84 CRI
240V:	1.12A	L70 Lifespan:	50000
277V:	0.93A	Lumens:	36224
Input Watts:	264W	Efficacy:	137 LPW
Efficiency:	98%		

## Technical Specifications

### Lightcloud

#### Lightcloud Installed:

Lightcloud is a commercial wireless lighting control system and service fully developed and supported by RAB. It's powerful and flexible, yet easy to use and install.

### Listings

#### UL Listing:

Suitable for damp locations.

#### IESNA LM-79 & LM-80 Testing:

RAB LED luminaires have been tested by an independent laboratory in accordance with IESNA LM-79 and LM-80, and have received the Department of Energy "Lighting Facts" label.

### LED Characteristics

#### Lifespan:

50,000-hour LED lifespan based on IES LM-80 results and TM-21 calculations.

#### LEDs:

Long-life, high-efficiency, surface mount LEDs

#### Replacement:

260W replaces up to (8) F54T5 or 1000W HID.

#### Color Stability:

LED color temperature is warranted to shift no more than 200K in CCT over a 5 year period.

#### Color Uniformity:

RAB's range of CCT (Correlated Color Temperature) follows the guidelines of the American National Standard for Specifications for the Chromaticity of Solid State Lighting (SSL) Products, ANSI C78.377-2015.

### Electrical

#### Driver:

Constant Current, Class 2, 120-277V, 50/60Hz, 120V: 2.17A, 208V: 1.29A, 240V: 1.12A, 277V 0.93A

#### THD:

7.2% at 120V, 8.6% at 277V

#### Power Factor:

99.5% at 120V, 96.9% at 277V

#### Surge Protection:

4kV

#### Emergency Battery Backup:

Battery backup will operate the LED Lamp for 90 minutes if power fails. Wired for 120V-277V.

### Construction

#### Operating Temperature:

-20°C (-45°F) - 55°C (131°F)

#### Housing:

Die formed painted steel

#### Lens:

Diffused Polymethyl Methacrylate (PMMA)

### Mounting:

V hooks and optional pendant mounting

### Finish:

Our environmentally friendly polyester powder coatings are formulated for high-durability and long-lasting color, and contain no VOC or toxic heavy metals.

### Green Technology:

Mercury and UV free. RoHS compliant components. Polyester powder coat finish formulated without the use of VOC or toxic heavy metals.

### Other

### 5 Yr Limited Warranty:

RAB warrants fixture operation and paint finish for a period of 5 years.

### Country of Origin:

Designed by RAB in New Jersey and assembled in the USA by RAB's IBEW Local 3 workers.

### Buy American Act Compliant:

This product is a COTS item manufactured in the United States, and is compliant with the Buy American Act.

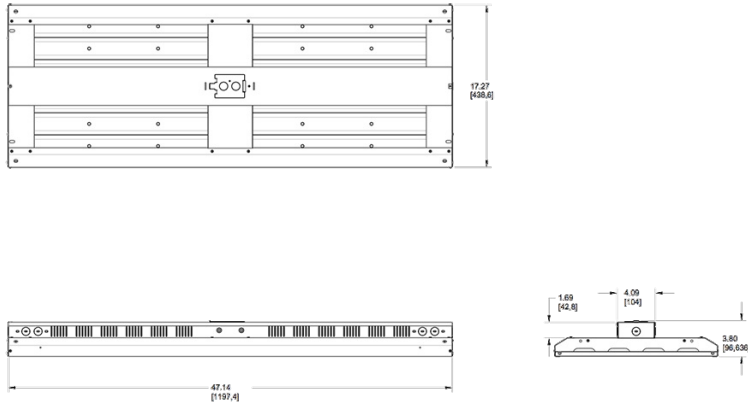
### Recovery Act (ARRA) Compliant:

This product complies with the 52.225-21 "Required Use of American Iron, Steel, and Manufactured Goods-- Buy American Act-- Construction Materials (October 2010).

### GSA Schedule:

Suitable in accordance with FAR Subpart 25.4.

## Dimensions



## Features

- High efficiency. Low price.
- Rated for high ambient environments up to 55° C
- Available with factory-installed Lightcloud controls
- Ideal for industrial warehouse spaces
- 50,000 hour LED lifespan
- 5-year limited warranty

## Ordering Matrix

Family	Length	Wattage	Color Temp	Voltage	Control Options	Battery Backup	Cord & Plug
ARBAY	4	260			/LC	/E2	
	2 = 2 ft. 4 = 4 ft/	90 = 90W 125 = 125W 175 = 175W 260 = 260W	Blank = 5000K (Cool) N = 4000K (Neutral)	Blank = 120-277V /480 = 480V	Blank = No Control Option /LCS = LCHBSENSE w/ mounting arm (120V - 277V) /LOS = LOSBAY800 w/ mounting arm (480V not available) /LC = Lightcloud (120V - 277V)	Blank = No Battery Backup /E2 = Battery Backup (120V - 277V)	Blank = No cord and plug /8C = 8 ft. cord, no plug /8CP = 8 ft. cord & straight plug, 120V /8CP2 = 8 ft. cord & straight plug, 277V /8CPT2 = 8 ft. cord & twistlock, 277V /8CPT4 = 8 ft. cord & twistlock, 480V