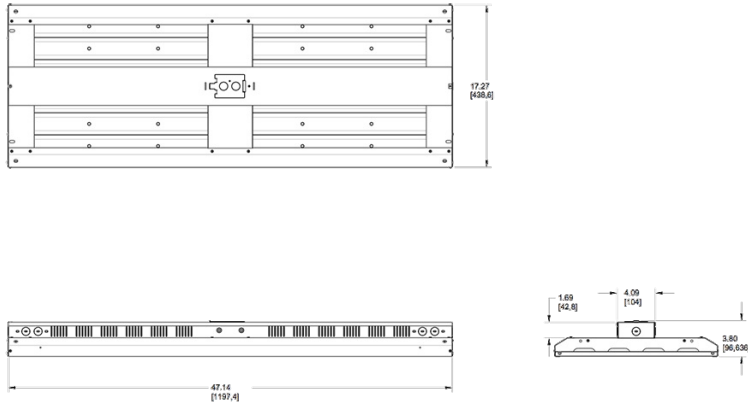




## Dimensions



## Features

- High efficiency. Low price.
- Rated for high ambient environments up to 55° C
- Available with factory-installed Lightcloud controls
- Ideal for industrial warehouse spaces
- 50,000 hour LED lifespan
- 5-year limited warranty

## Ordering Matrix

| Family | Length                 | Wattage  | Color Temp                                  | Voltage                         | Control Options  | Battery Backup  | Cord & Plug  |
|--------|------------------------|--|---|---------------------------------|--|---|--|
| ARBAY  | 4                      | 260  | N   |                                 | /LC  |   |  |
|        | 2 = 2 ft.<br>4 = 4 ft/ | 90 = 90W<br>125 = 125W<br>175 = 175W<br>260 = 260W | Blank = 5000K (Cool)<br>N = 4000K (Neutral) | Blank = 120-277V<br>/480 = 480V | Blank = No Control Option<br>/LCS = LCHBSENSE w/ mounting arm (120V - 277V)<br>/LOS = LOSBAY800 w/ mounting arm (480V not available)<br>/LC = Lightcloud (120V - 277V) | Blank = No Battery Backup<br>/E2 = Battery Backup (120V - 277V) | Blank = No cord and plug<br>/8C = 8 ft. cord, no plug<br>/8CP = 8 ft. cord & straight plug, 120V<br>/8CP2 = 8 ft. cord & straight plug, 277V<br>/8CPT2 = 8 ft. cord & twistlock, 277V<br>/8CPT4 = 8 ft. cord & twistlock, 480V |