

Economical linear high bay delivers versatility and ultra-high efficiency. Available in 8 wattages and three sizes, for mounting heights ranging from 15 to 60 feet. Patent pending, retractable design reduces volume by up to 60% to save valuable shelf and storage space.

Color: White

Weight: 22.0 lbs

Project:	Type:
Prepared By:	Date:

Driver Info		LED Info	
Type	Constant Current	Watts	315.00W
120V	N/A	Color Temp	4000K (Neutral)
208V	1.50A	Color Accuracy	83 CRI
240V	1.30A	L70 Lifespan	100,000
277V	1.13A	Lumens	42,406
Input Watts	307.30W	Efficacy	138 LPW
Efficiency	N/A		

Technical Specifications

Listings

UL Listed:

Suitable for damp locations

IESNA LM-79 & LM-80 Testing:

RAB LED luminaires and LED components have been tested by an independent laboratory in accordance with IESNA LM-79 and LM-80.

DLC Listed:

This product is listed by Design Lights Consortium (DLC) as an ultra-efficient premium product that qualifies for the highest tier of rebates from DLC Member Utilities. DLC Product Code: P9DF8VZQ

LED Characteristics

Lifespan:

100,000-hour LED lifespan based on IES LM-80 results and TM-21 calculations

LEDs:

Multi-chip, high-output, long-life LEDs

Color Uniformity:

RAB's range of CCT (Correlated Color Temperature) follows the guidelines of the American National Standard for Specifications for the Chromaticity of Solid State Lighting (SSL) Products, ANSI C78.377-2017.

Construction

Operating Temperature:

-20°C (-4°F) - 50°C (122°F)

Housing:

22 gauge die formed with white powder coat finish. Y Hooks included for easy chain or cable mounting.

Reflector:

White painted, reflective, die formed painted steel

Lens:

Polycarbonate lens

Mounting:

V hooks and optional pendant mounting. AEROBAY® comes with two 42" chains.

Cord & Plug:

8 ft. cord and NEMA L5-15P straight blade plug for 120V only.

Finish:

Our environmentally friendly polyester powder coatings are formulated for high-durability and long-lasting color

Green Technology:

Mercury and UV free. RoHS-compliant components.

Electrical

Driver:

Class 2, Constant Current, 120-277V, 50/60 Hz, 120V: 2.56A, 208V: 1.50A, 240V: 1.30A, 277V: 1.13A

THD:

5.9% at 120V, 7.7% at 277V

Power Factor:

99.9% at 120V, 96% at 277V

Battery Backup:

Emergency battery backup will operate the fixture for 90 minutes if power fails. Wired for 120-277V.

Surge Protection:

2.5kV

For areas prone to surges, upgrade to 10kV surge protection available

Technical Specifications (continued)

Other

5 Yr Limited Warranty:

The RAB 5-year, limited warranty covers light output, driver performance and paint finish. RAB's warranty is subject to all terms and conditions found at rablighting.com/warranty.

Buy American Act Compliance:

RAB values USA manufacturing! Upon request, RAB may be able to manufacture this product to be compliant with the Buy American Act (BAA). Please contact customer service to request a quote for the product to be made BAA compliant.

Sensor Specifications

Passive Infrared Occupancy and Daylight Sensor:

PIR sensor with IR remote capability. High/Low bay passive infrared occupancy and daylight sensor.

UL Listed:

Indoor use only

Operating Temperature:

32°F to 158°F (0°C to 70°C)

Operating Humidity:

5% to 96%, noncondensing

Line Voltage:

Line Voltage for direct connection to load

Voltage:

120, 277, 347V, 60Hz or 230V, single phase, 50Hz operation

Power Consumption:

0.2W

Maximum Versatility:

Adjustable time delay and sensitivity
Adjustable hold-off daylighting level

Weight:

6.4 oz (181 g)

Hardware:

UL listed snap-in mounting hardware

Mounting:

Easy mounting using knockout at end of linear high bay luminaire

Lens:

Lens (attached) designed for mounting heights from 15 to 40 feet

Rotatable Mask:

Snap-on rotatable mask for aisleway applications (included)

Coverage:

Covers a 100-foot diameter area when mounted at height of 40 feet

Factory Default:

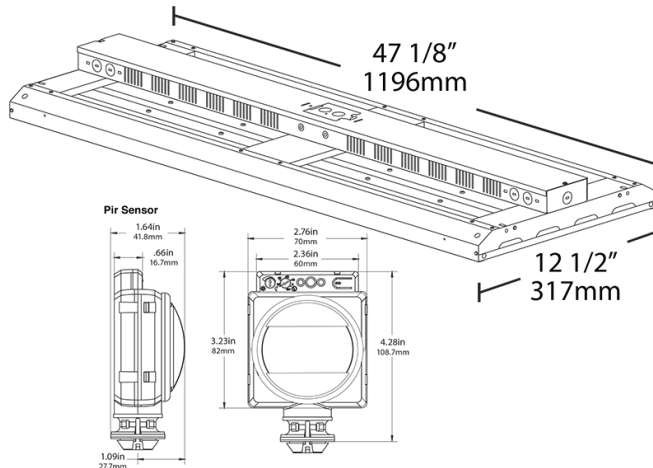
15 minutes time delay
Max sensitivity
300 footcandle light level

Handheld Wireless Configuration Tool:

Adjust settings using handheld wireless configuration tool. Only available with 0-10V dimming driver options. [Handheld wireless configuration tool available here.](#)

Dimensions

T
3 1/2"
88mm
⊥



Features

- High efficiency. Low price.
- Ideal for industrial warehouse spaces
- 100,000 hour LED lifespan
- 5-Year, Limited Warranty

Coverage Pattern

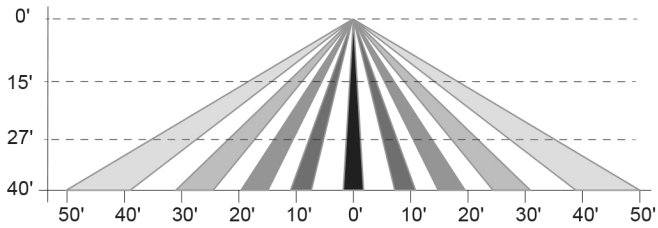
Coverage Pattern



Top coverage pattern



Top coverage pattern with mask



Side coverage pattern



Side coverage pattern with mask

Ordering Matrix

Family	Length		Wattage	Color Temp	Voltage	Control Options	Emergency Options	Other Options
ARBAY	4	-	315	N		/PIR	/E2	/8CP2
	4 = 4 ft.		315 = 315W 360 = 360W	Blank = 5000K (Cool) N = 4000K (Neutral)	Blank = 120-277V, 0-10V Dimming /480 = 480V, 0-10V Dimming	Blank = No Options /PIR = 120-277V, Passive Infrared Occupancy Sensor /LC = 120-277V, Lightcloud Control /LCS = 120-277V, Lightcloud Motion Sensor	Blank = No Options /E2 = 120-277V, Emergency Battery ¹	Blank = No Options /SP10 = 10kV Surge Protection /8C = 8' Cord only ² /8CP = 8' Cord, Straight Blade Plug 120V, NEMA 5-15P ³ /8CP2 = 8' Cord, Straight Blade Plug 277V, NEMA 7-15P ³ /8CPT = 8' Cord, Twistlock Plug 120V, NEMA L5-15P ³ /8CPT2 = 8' Cord, Twistlock Plug 277V, NEMA L7-15P ³ /8CPT4 = 8' Cord, Twistlock Plug 480V, NEMA L8-20P ³

¹ For battery backup models with cord and plug dimming is not possible

² For cord only (8C) models, a 5 conductor cable will be used to make dimming possible

³ For cord and plug (8CP, 8CP2, 8CPT, 8CPT2, 8CPT4) models 0-10V dimming is not possible