



## Technical Specifications (continued)

### Other

#### Buy American Act Compliance:

RAB values USA manufacturing! Upon request, RAB may be able to manufacture this product to be compliant with the Buy American Act (BAA). Please contact customer service to request a quote for the product to be made BAA compliant.

### Sensor Specifications

#### Passive Infrared Occupancy and Daylight Sensor:

PIR sensor with IR remote capability. High/Low bay passive infrared occupancy and daylight sensor.

#### UL Listed:

Indoor use only

#### Operating Temperature:

32°F to 158°F (0°C to 70°C)

#### Operating Humidity:

5% to 96%, noncondensing

#### Line Voltage:

Line Voltage for direct connection to load

#### Voltage:

120, 277, 347V, 60Hz or 230V, single phase, 50Hz operation

#### Power Consumption:

0.2W

#### Maximum Versatility:

Adjustable time delay and sensitivity  
Adjustable hold-off daylighting level

#### Weight:

6.4 oz (181 g)

#### Hardware:

UL listed snap-in mounting hardware

#### Mounting:

Easy mounting using knockout at end of linear high bay luminaire

#### Lens:

Lens (attached) designed for mounting heights from 15 to 40 feet

#### Rotatable Mask:

Snap-on rotatable mask for aisleway applications (included)

#### Coverage:

Covers a 100-foot diameter area when mounted at height of 40 feet

#### Factory Default:

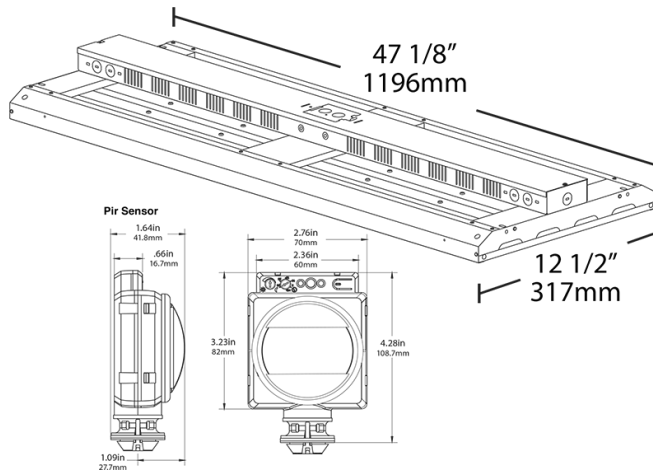
15 minutes time delay  
Max sensitivity  
300 footcandle light level

#### Handheld Wireless Configuration Tool:

Adjust settings using handheld wireless configuration tool. Only available with 0-10V dimming driver options. [Handheld wireless configuration tool available here.](#)

## Dimensions

T  
3 1/2"  
88mm  
⊥

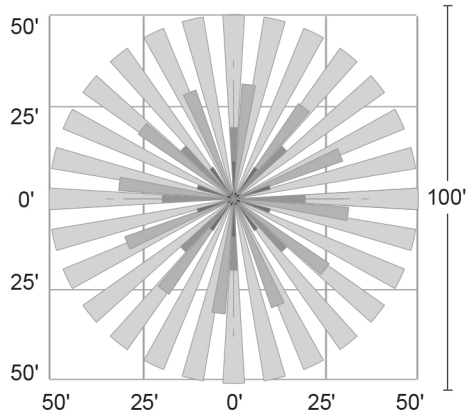


## Features

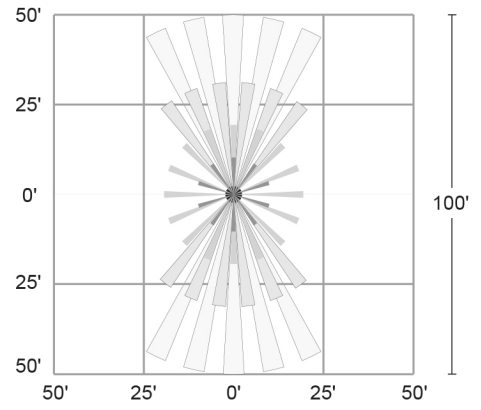
- High efficiency. Low price.
- Ideal for industrial warehouse spaces
- 100,000 hour LED lifespan
- 5-Year, Limited Warranty

## Coverage Pattern

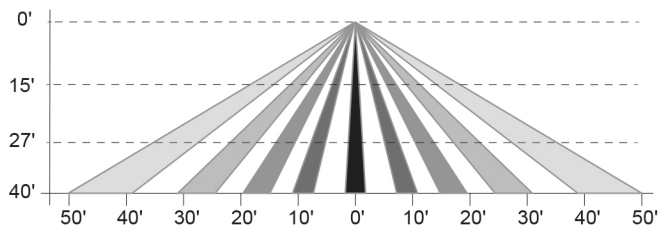
## Coverage Pattern



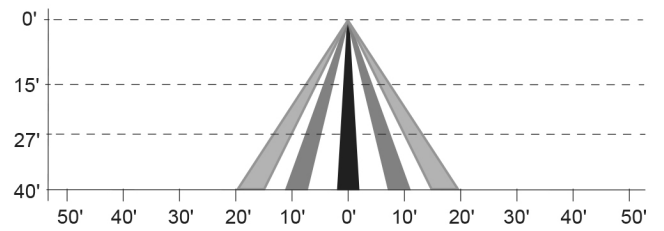
Top coverage pattern



Top coverage pattern with mask



Side coverage pattern



Side coverage pattern with mask

## Ordering Matrix

Family	Length		Wattage	Color Temp	Voltage	Control Options	Emergency Options	Other Options
ARBAY	4	–	360	N		/PIR		/8CP
	4 = 4 ft.		315 = 315W 360 = 360W	Blank = 5000K (Cool) N = 4000K (Neutral)	Blank = 120-277V, 0-10V Dimming /480 = 480V, 0-10V Dimming	Blank = No Options /PIR = 120-277V, Passive Infrared Occupancy Sensor /LC = 120-277V, Lightcloud Control /LCS = 120-277V, Lightcloud Motion Sensor	Blank = No Options /E2 = 120-277V, Emergency Battery <sup>1</sup>	Blank = No Options /SP10 = 10kV Surge Protection /8C = 8' Cord only <sup>2</sup> /8CP = 8' Cord, Straight Blade Plug 120V, NEMA 5-15P <sup>3</sup> /8CP2 = 8' Cord, Straight Blade Plug 277V, NEMA 7-15P <sup>3</sup> /8CPT = 8' Cord, Twistlock Plug 120V, NEMA L5-15P <sup>3</sup> /8CPT2 = 8' Cord, Twistlock Plug 277V, NEMA L7-15P <sup>3</sup> /8CPT4 = 8' Cord, Twistlock Plug 480V, NEMA L8-20P <sup>3</sup>

<sup>1</sup> For battery backup models with cord and plug dimming is not possible

<sup>2</sup> For cord only (8C) models, a 5 conductor cable will be used to make dimming possible

<sup>3</sup> For cord and plug (8CP, 8CP2, 8CPT, 8CPT2, 8CPT4) models 0-10V dimming is not possible