



104W LED high bay fixture with over 10,000 lumens. Reduces energy consumption by up to 70%. Ideal for large spaces, including warehouses, gymnasiums, and distribution centers.

Color: White

Weight: 21.0 lbs

**Project:**

**Type:**

**Prepared By:**

**Date:**

#### Driver Info

Type: Constant Current  
 120V: 1.03A  
 208V: 0.65A  
 240V: 0.56A  
 277V: 0.49A  
 Input Watts: 124W  
 Efficiency: 84%

#### LED Info

Watts: 104W  
 Color Temp: 4000K  
 Color Accuracy: 82 CRI  
 L70 Lifespan: 100000  
 Lumens: 10,315  
 Efficacy: 84 LPW

## Technical Specifications

### Listings

#### UL Listing:

Suitable for damp locations with cord and hook.  
 Suitable for wet locations with 3/4" pendant stem.

#### IESNA LM-79 & LM-80 Testing:

RAB LED luminaires have been tested by an independent laboratory in accordance with IESNA LM-79 and LM-80, and have received the Department of Energy "Lighting Facts" label.

### LED Characteristics

#### LEDs:

Multi-chip, high-output, long-life LEDs

#### Lifespan:

100,000-hour LED lifespan based on IES LM-80 results and TM-21 calculations

#### Color Consistency:

3-step MacAdam Ellipse binning to achieve consistent fixture-to-fixture color

#### Color Stability:

LED color temperature is warranted to shift no more than 200K in CCT over a 5 year period.

#### Color Uniformity:

RAB's range of CCT (Correlated Color Temperature) follows the guidelines of the American National Standard for Specifications for the Chromaticity of Solid State Lighting (SSL) Products, ANSI C78.377-2011.

### Electrical

#### Drivers:

Constant Current, 800mA, Class 2 with 6 kV surge protection, 100-277VAC, 50/60 Hz

#### Power Factor:

99% at 120V, 91.3% at 277V

#### THD:

8.2% at 120V, 11.2% at 277V

### Construction

#### Ambient Temperature:

Suitable for use in 55°C (131°F) ambient temperatures.

#### Thermal Management:

Superior heat sinking with external Air-Flow fins

#### Housing:

Precision die-cast aluminum housing and door frame with 3-foot 600V power cord

#### Mounting:

Heavy-duty 3/4" NPS hook and 3-foot safety chain; is also 3/4" pendant mount-capable (pendant by others).

#### Recommended Mounting Height:

30 ft.

#### Lens:

Tempered glass

#### Reflector:

Specular vacuum metallized polycarbonate

#### Gaskets:

High-temperature silicone

#### Finish:

Our environmentally friendly polyester powder coatings are formulated for high-durability and long-lasting color, and contain no VOC or toxic heavy metals.

#### Green Technology:

Mercury and UV free. RoHS compliant components. Polyester powder coat finish formulated without the use of VOC or toxic heavy metals.

### Other

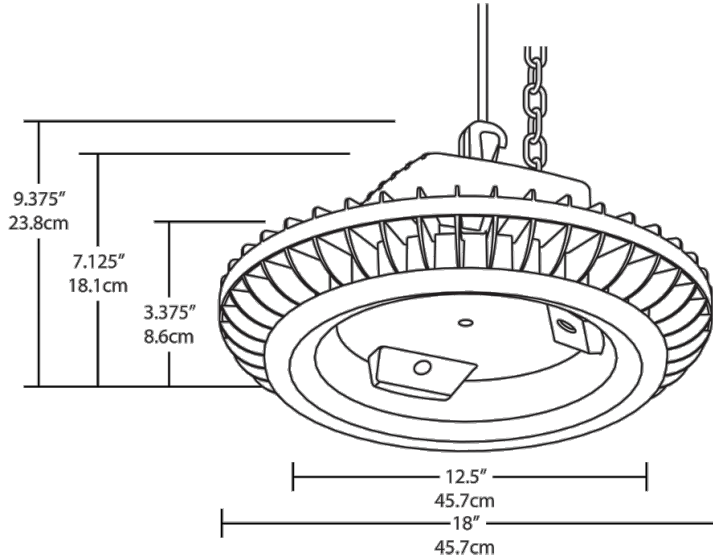
#### Equivalency:

BAYLED104 replaces 320 Watt metal halide.

#### California Title 24:

See BAYLED104NW/BL or BAYLED104NW/D10 for a 2013 California Title 24 compliant product. Any additional component requirements will be listed in the Title 24 section under technical specifications on the product page.

## Dimensions



## Features

- High output, high efficiency LED high bay
- Bi-level and dimming models available when installed with pendant by others
- Polyshield and wire guard accessories available for additional protection
- 100,000 hour lifespan
- 5-year no compromise warranty

## Ordering Matrix

Family	Watts	Color Temp	Finish	Dimming	Bi-Level
BAYLED	104 = 104W	Blank = 5000K (Cool) Y = 3000K (Warm) N = 4000K (Neutral)	W = White	Blank = No Dimming /D10 = Dimmable	Blank = No Bi-Level /BL = Bi-Level