



12W LED equivalent to 75W BR30/halogen/wide flood. Available in black, white, bronze and verde green.

Color: Bronze

Weight: 3.4 lbs

<b>Project:</b>	<b>Type:</b>
<b>Prepared By:</b>	<b>Date:</b>

Driver Info		LED Info	
Type:	Constant Current	Watts:	12W
120V:	0.10A	Color Temp:	5000K
208V:	N/A	Color Accuracy:	84 CRI
240V:	N/A	L70 Lifespan:	100000
277V:	N/A	Lumens:	957
Input Watts:	13W	Efficacy:	74 LPW
Efficiency:	92%		

## Technical Specifications

### Listings

#### UL Listing:

Suitable for wet locations

#### IESNA LM-79 & LM-80 Testing:

RAB LED luminaires have been tested by an independent laboratory in accordance with IESNA LM-79 and LM-80, and have been received the Department of Energy "Lighting Facts" label.

#### DLC Listed:

This product is on the Design Lights Consortium (DLC) Qualified Products List and is eligible for rebates from DLC Member Utilities.

DLC Product Code: P000017A6

### LED Characteristics

#### LEDs:

Multi-chip, high-output, long-life LEDs

#### Lifespan:

100,000-Hour LED lifespan based on IES LM-80 results and TM-21 calculation

#### Color Stability:

LED color temperature is warranted to shift no more than 200K in CCT over a 5 year period.

#### Color Uniformity:

RAB's range of CCT (Correlated Color Temperature) follows the guidelines of the American National Standard for Specifications for the Chromaticity of Solid State Lighting (SSL) Products, ANSI C78.377-2011.

#### Electrical

##### Driver:

Innovative integrated driver technology with 120V TRIAC and ELV dimming

#### Construction

##### Thermal Management:

Superior heat sinking with external Air-Flow fins

##### Housing:

Die-cast aluminum housing, lens frame and mounting plate

##### Reflector:

Semi-specular, vacuum-metalized polycarbonate

##### Lens:

Microprismatic diffusion lens for smooth and even light distribution

#### Mounting:

Heavy-duty mounting arm with "O" ring seal and stainless steel screws

#### Gaskets:

High-temperature silicone gaskets

#### Finish:

Our environmentally friendly polyester powder coatings are formulated for high-durability and long-lasting color, and contain no VOC or toxic heavy metals.

#### Green Technology:

Mercury and UV free. RoHS compliant components. Polyester powder coat finish formulated without the use of VOC or toxic heavy metals.

#### Other

##### California Title 24:

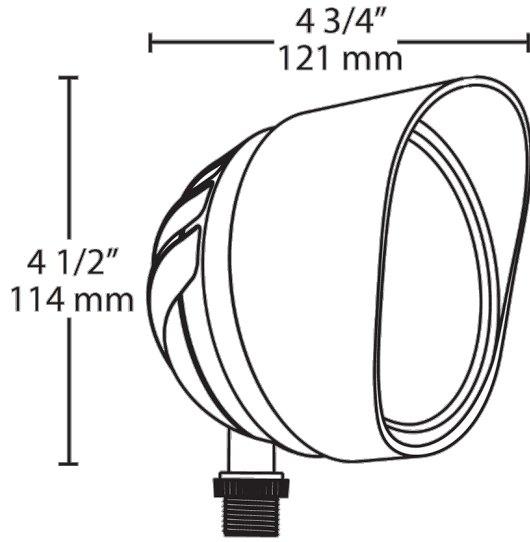
BULLET12 complies with 2013 California Title 24 building and electrical codes as a residential outdoor lighting fixture with no additional hardware required and as a commercial outdoor non-pole-mounted fixture ≤ 30 Watts when used with a photosensor control. Select catalog number to order a photosensor.

##### Warranty:

RAB warrants that our LED products will be free from defects in materials and workmanship for a period of five (5) years from the date of delivery to the end user, including coverage of light output, color stability, driver performance and fixture finish.

# BULLET12A

## Dimensions



## Features

- 12W LED equivalent to 75W BR30/halogen/wide flood
- Mount as an uplight or downlight on a RAB Mighty Post or junction box
- Microprismatic diffusion lens for smooth and even light distribution
- 100,000-hour LED Lifespan

## Ordering Matrix

Family	Watts	Color Temp	Finish
BULLET	12 = 12W	Blank = 5000K (Cool) Y = 3000K (Warm) N = 4000K (Neutral)	A = Bronze B = Black VG = Verde Green W = White