



Die cast round covers with one or three 1/2" holes. Fit 4" round boxes. Supplied with thick foam rubber gasket and two #10-24 stainless steel screws. 3 hole cover comes with one die cast 1/2" close-up plug.

Color: Bronze

Weight: 0.2 lbs

| | |
|---------------------|--------------|
| Project: | Type: |
| Prepared By: | Date: |

Technical Specifications

Listings

UL Listing:

Suitable for wet locations.

Construction

Covers:

Precision die cast aluminum round covers.

Screws:

10-24 Brass Round Head Phillips/slotted.

Gasket:

1/8" thick closed cell silicone rubber for long lasting seal won't crumple or break.

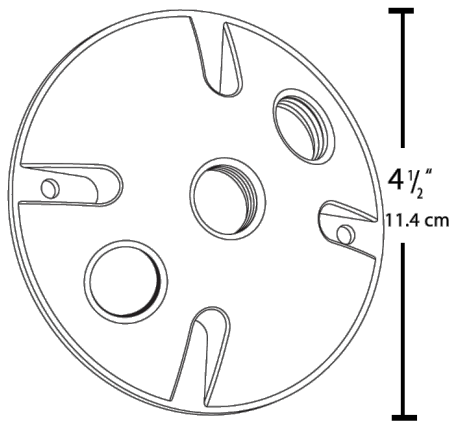
Replacement Plugs:

Available for round and rectangular covers and boxes.

Hole Count:

3 Hole

Dimensions



Features

1/8" thick weatherseal gasket is closed cell silicone rubber for long lasting seal that won't break

Stainless steel screws provided

Die cast aluminum covers are color matched

Close-up plugs allow Phillips or slotted screwdrivers for easy installation