



Corrosionproof round four hole cover. Tough polycarbonate with molded-in color. Fourth hole is perfect for motion sensor mounting. Fits 4" round boxes. Supplied with thick foam rubber gasket. One molded 1/2" close-up plug and (2) stainless steel screws.

Color: White

Weight: 0.2 lbs

Project:	Type:
Prepared By:	Date:

Technical Specifications

Listings

UL Listing:

Suitable for wet locations.

Construction

Covers:

Tough polycarbonate with molded-in color.

Screws:

10-24 Brass Round Head Phillips/slotted.

Gasket:

1/8" thick closed cell silicone rubber for long lasting seal won't crumple or break.

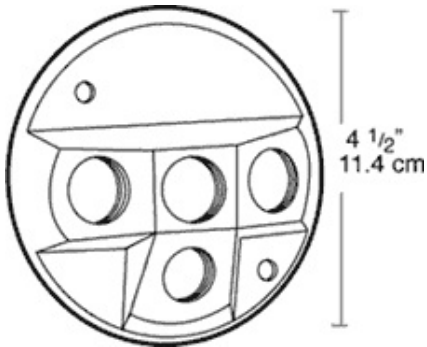
Replacement Plugs:

Available for round and rectangular covers and boxes.

Hole Count:

Round 4 Hole.

Dimensions



Features

1/8" thick weatherseal gasket is closed cell silicone rubber for long lasting seal that won't break

Strong, corrosionproof polycarbonate

Stainless steel screws provided

Die cast aluminum covers are color matched

Close-up plugs allow Phillips or slotted screwdrivers for easy installation