

Project:	Type:
Prepared By:	Date:

Driver Info		LED Info	
Type	Constant Current	Watts	82W
120V	700	Color Temp	3500K
208V	N/A	Color Accuracy	80 CRI
240V	N/A	L70 Lifespan	50,000 Hours
277V	300	Lumens	8,000
Input Watts	82W	Efficacy	97.6 lm/W

Technical Specifications

Other

Product Type:

Commercial Downlight Direct Mount

Warranty:

RAB warrants that our LED products will be free from defects in materials and workmanship for a period of five (5) years from the date of delivery to the end user, including coverage of light output, color stability, driver performance and fixture finish. RAB's warranty is subject to all terms and conditions found at rablighting.com/warranty.

Buy American Act Compliance:

RAB values USA manufacturing! Upon request, RAB may be able to manufacture this product to be compliant with the Buy American Act (BAA). Please contact customer service to request a quote for the product to be made BAA compliant.

Performance

Typical Lumen Output:

8000

Efficacy:

95 lm/W

Color Accuracy:

90 CRI

Color Temperature:

3500K

Lifespan:

50,000-Hour LED lifespan based on IES LM-80 results and TM-21 calculations

Electrical

THD:

≤20%

Power Factor:

≥0.9

Dimmable:

Driver includes dimming control for 0-10V dimming systems. Requires separate 0-10V DC dimming circuit. Dims down to 10%.

Input Voltage:

120-277V

Operating Frequency:

50/60Hz

Operating Temperature:

-30°C - 40°C

Technical Specifications (continued)

Construction

Size:

8"

Shape:

Round

Housing Material:

Metal

Finish:

White

Trim Style:

Smooth Trim

Air Tight:

Housing certified Air Tight as per ASTM E283

Compliance

Safety Listing:

UL Listed, UL Classified

Environment:

Wet

RoHS:

Mercury and UV free. RoHS-compliant components.

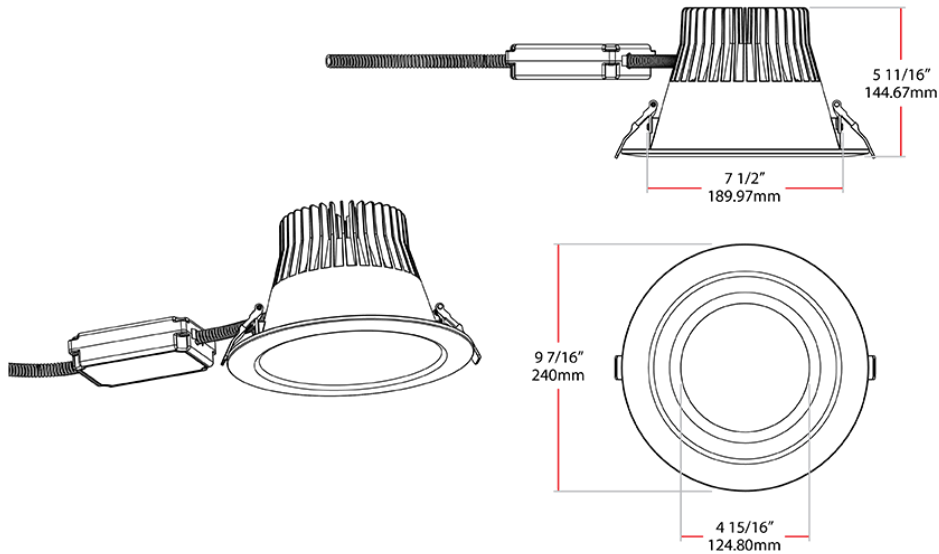
FCC:

Complies with Part 15 of the FCC Rules

Model Number:

DLC0045(C8R82835UNVW)

Dimensions



Ordering Matrix

Family	Size	Shape	Wattage	CRI/Color Temp	Voltage	Finish
C	8	R	82	835	UNV	W
8 = 8"		R = Round	82 = 82W	850 = 80 CRI, 5000K 840 = 80 CRI, 4000K 835 = 80 CRI, 3500K 830 = 80 CRI, 3000K	UNV = 120-277V	W = White