



Project:	Type:
Prepared By:	Date:

Driver Info		LED Info	
Type	Constant Current	Watts	16W
120V	0.15A	Color Temp	2700/3000/3500/4000/5000K
208V	N/A	Color Accuracy	90 CRI
240V	N/A	L70 Lifespan	50,000 Hours
277V	N/A	Lumens	1,100
Input Watts	16W	Efficacy	68.8

Technical Specifications		
Performance		
Product Type: Surface & Flush Mounts	R9 Value: High color performance with R9 greater than or equal to 50	THD: ≤20%
Input Wattage: 16W	Compliance	Power Factor: ≥0.9
Lumens (Nominal): 1100lm	UL Listed: Suitable for wet locations	Input Voltage: 120V
Efficacy: 68.8 lm/W	ENERGY STAR V2.2: This product is ENERGY STAR® Version 2.2 Certified.	Operating Frequency: 60Hz
L70 Lifespan: 50,000-Hour LED lifespan based on IES LM-70 results	Energy Star ID: 2389850	
	Electrical	
	Dimming Driver: TRIAC compatible dimmer with dimming as low as 10%.	

Technical Specifications (continued)

Construction

Material:

Metal and Plastic

Trim Style:

Smooth Trim

Shape:

Round

Beam Angle:

130°

Mounting:

Surface mount

Operating Temperature:

-20°C (-4°F) to 40°C (104°F)

Size:

12"

Electrical Characteristics

Flicker:

≤30%

Other

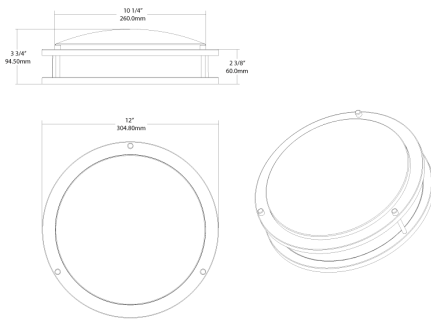
Warranty:

RAB warrants that our LED products will be free from defects in materials and workmanship for a period of five (5) years from the date of delivery to the end user, including coverage of light output, color stability, driver performance and fixture finish. RAB's warranty is subject to all terms and conditions found at rablighting.com/warranty.

Buy American Act Compliance:

RAB values USA manufacturing! Upon request, RAB may be able to manufacture this product to be compliant with the Buy American Act (BAA). Please contact customer service to request a quote for the product to be made BAA compliant.

Dimensions



Features

- Stylish surface mount fixture mounts directly to ceiling or wall junction box
- Field-adjustable "set and forget" color temperature
- Diffuse lens provides soft, smooth light
- Durable construction protects against breakage
- Ideal for hospitality and multi-family residential applications
- Suitable for wet locations

Ordering Matrix

Family	Type	Size	Shape	Wattage	CRI/Color Temp	Voltage	Finish	Sensor
CRVFA	D	12	R	16	9CCT	120	BN	
	S = Smooth D = Decorative	11 = 11" 12 = 12" 14 = 14" 18 = 18" 19 = 19"	R = Round	16 = 16W 20 = 20W 32 = 32W	9CCT = 90 CRI, CCT Selectable	120 = 120V UNV = 120-277V	W = White BN = Brushed Nickel	Blank = No Sensor /MVS = Microwave Occupancy Sensor