



Reflectors for 8" LED retrofit downlights

Color: Matte cone matte trim

Weight: 1.4 lbs

Project:

Type:

Prepared By:

Date:

Technical Specifications

Listings

UL Listed:

Suitable for damp locations.

Optical

Photometrics:

Photometrics are based on prorated reports. Contact the RAB Lighting Design department for the most up-to-date data.

Construction

Trim Component:

This component must be ordered with Retrofit DLED8 in order to make a complete fixture.

Trim Size:

7" Trim

Finish:

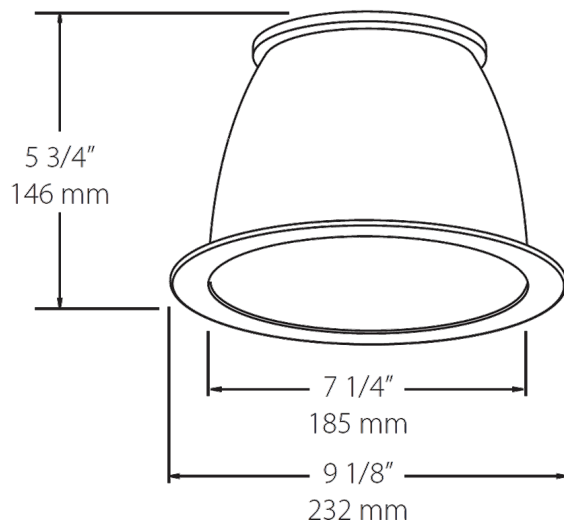
Our environmentally friendly polyester powder coatings are formulated for high-durability and long-lasting color, and contains no VOC or toxic heavy metals.

Other

Warranty:

RAB warrants that our LED products will be free from defects in materials and workmanship for a period of ten (10) years from the date of delivery to the end user, including coverage of light output, color stability, driver performance and fixture finish.

Dimensions



Features

Reflectors for 8" LED retrofit downlights

Lightweight design for easy installation and increased safety

10 year warranty

Ordering Matrix

Family	Size	Shape	Finish
D	8 8 = 8"	TRIM = TRIM	W = White Cone White Trim S = Specular Silver M = Matte Silver