



Reflectors for 8" LED retrofit downlights

Color: Specular cone specular trim

Weight: 1.4 lbs

Project:

Type:

Prepared By:

Date:

## Technical Specifications

### Listings

#### UL Listed:

Suitable for damp locations.

### Optical

#### Photometrics:

Photometrics are based on prorated reports. Contact the RAB Lighting Design department for the most up-to-date data.

### Construction

#### Trim Component:

This component must be ordered with Retrofit DLED8 in order to make a complete fixture.

#### Trim Size:

7" Trim

### Finish:

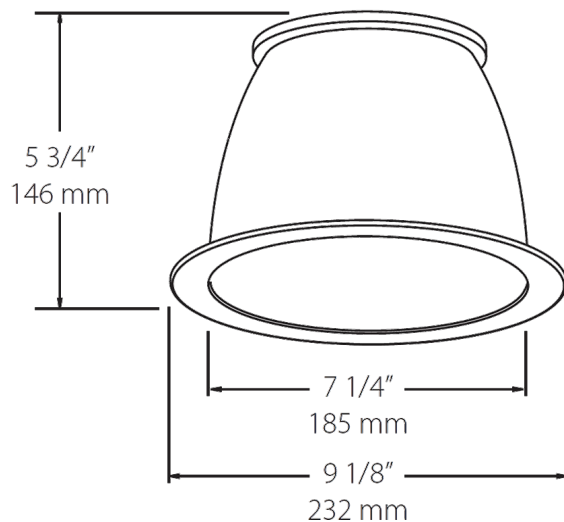
Our environmentally friendly polyester powder coatings are formulated for high-durability and long-lasting color, and contains no VOC or toxic heavy metals.

### Other

#### Warranty:

RAB warrants that our LED products will be free from defects in materials and workmanship for a period of ten (10) years from the date of delivery to the end user, including coverage of light output, color stability, driver performance and fixture finish.

## Dimensions



## Features

Reflectors for 8" LED retrofit downlights

Lightweight design for easy installation and increased safety

10 year warranty

## Ordering Matrix

Family	Size	Shape	Finish
D	8 8 = 8"	TRIM = TRIM	W = White Cone White Trim S = Specular Silver M = Matte Silver