



Now, more is less. Economical retrofit downlights with more to offer. Available in standard or adjustable heads.

Color: White

Weight: 0.5 lbs

**Project:**

**Type:**

**Prepared By:**

**Date:**

**Driver Info**

Type: Constant Current  
 120V: 0.093A  
 208V: N/A  
 240V: N/A  
 277V: N/A  
 Input Watts: 11W  
 Efficiency: N/A

**LED Info**

Watts: 11W  
 Color Temp: 3000K  
 Color Accuracy: 90 CRI  
 L70 Lifespan: 100000  
 Lumens: 726  
 Efficacy: 69 LPW

## Technical Specifications

**Listings**

**UL Listing:**

Suitable for damp locations

**ENERGY STAR® V2.0:**

This product is ENERGY STAR® Version 2.0 Certified.

**IESNA LM-79 & IESNA LM-80 Testing:**

RAB LED luminaires have been tested by an independent laboratory in accordance with IESNA LM-79 and 80, and have received the Department of Energy "Lighting Facts" label.

**Electrical**

**Driver:**

Constant Current, Class 2, 50/60 Hz, 120V: 0.093A

**Dimming:**

TRIAC, ELV and 0-10V dimming compatibility.

**THD:**

27.43% at 120V

**Power Factor:**

95.6% at 120V

**LED Characteristics**

**LEDs:**

Multi-chip, high-output, long-life LEDs

**Lifespan:**

50,000-hour LED lifespan based on IES LM-80 results and TM-21 calculations.

**Construction**

**Housing:**

Precision, die-cast aluminum

**Installation:**

Jam clips for secure installation

**Socket Adapter:**

Edison 26 Medium Base Socket adapter

**Lens:**

Frosted acrylic lens

**Finish:**

Chip and fade resistant polyester powder coat finish

**Green Technology:**

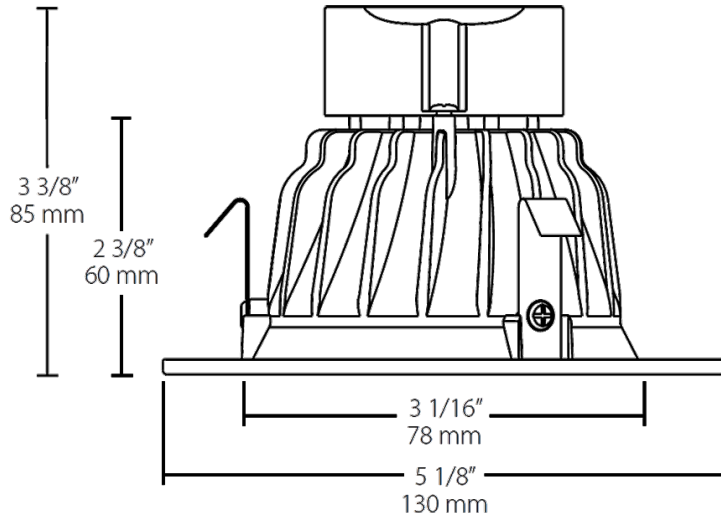
Mercury and UV free. RoHS compliant components.

**Other**

**Warranty:**

RAB warrants that our LED products will be free from defects in materials and workmanship for a period of five (5) years from the date of delivery to the end user, including coverage of light output, color stability, driver performance and fixture finish.

## Dimensions



## Features

- Superior thermal management with heat-dissipating fins
- Specification-grade 90 CRI standard
- Edison E26 Medium Base socket adapter included
- 5 year no compromise warranty

## Ordering Matrix

Family	Color Temp	Size	Type	Shape	Watts
DLED	DLED	4		R	11
	Y = 3000K (Warm)	4 = 4"	Blank = Standard	R = Round	9 = 9W
	YY = 2700K (Residential Warm)	6 = 6"	A = Adjustable (11W in 4" & 14W in 6" only)		11 = 11W
	YN = 3500K (Warm Neutral)				14 = 14W