



|                     |              |
|---------------------|--------------|
| <b>Project:</b>     | <b>Type:</b> |
| <b>Prepared By:</b> | <b>Date:</b> |

| Driver Info  |                  | LED Info        |        |
|--------------|------------------|-----------------|--------|
| Type:        | Constant Current | Watts:          | 8W     |
| 120V:        | 0.08A            | Color Temp:     | 2700K  |
| 208V:        | N/A              | Color Accuracy: | 84 CRI |
| 240V:        | N/A              | L70 Lifespan:   | 100000 |
| 277V:        | N/A              | Lumens:         | 539    |
| Input Watts: | 9W               | Efficacy:       | 63 LPW |
| Efficiency:  | 93%              |                 |        |

## Technical Specifications

### Listings

#### UL Listed:

Suitable for damp locations.

#### ENERGY STAR® V2.0:

This product is ENERGY STAR® V2.0 qualified.

#### IESNA LM-79 & LM-80 Testing:

RAB LED luminaires have been tested by an independent laboratory in accordance with IESNA LM-79 and LM-80, and have received the Department of Energy "Lighting Facts" label.

### Electrical

#### Driver:

Innovative integrated driver technology with 120V TRIAC and ELV dimming.

#### Surge Protection:

2.5KV

### Optical

#### Spacing Criteria:

0-180° (along): 1.12

### Construction

#### Lens:

Polycarbonate diffusion lens for smooth light output.

#### Compatibility:

Low-profile design for maximum compatibility with 6" incandescent recessed downlight housings.

#### Ambient Temperature:

Suitable for use in 40°C ambient temperatures.

#### Cold Weather Starting:

The minimum starting temperature is -22°F/-30°C.

#### Housing:

Professional-grade, die-cast aluminum construction; cast-in grooves.

#### Adapters:

Edison E26 medium base adapter included. GU24 socket adapter sold separately.

#### Installation:

Pre-installed Torsion springs and optional friction clips are both included to aid in attaching and securing the 6" DLED to the incandescent housing.

#### Finish:

Our environmentally friendly polyester powder coatings are formulated for high-durability and long-lasting color, and contains no VOC or toxic heavy metals.

#### Green Technology:

Mercury and UV free. RoHS compliant components. Polyester powder coat finish formulated without the use of VOC or toxic heavy metals.

### LED Characteristics

#### Lifespan:

100,000-hour LED lifespan based on IES LM-80 results and TM-21 calculations.

#### LEDs:

High-output, long-life LEDs with 3 step binning and integrated driver technology.

#### Color Consistency:

3-step MacAdam Ellipse binning to achieve consistent fixture-to-fixture color.

### Other

#### Equivalency:

8W replaces 50W Par.

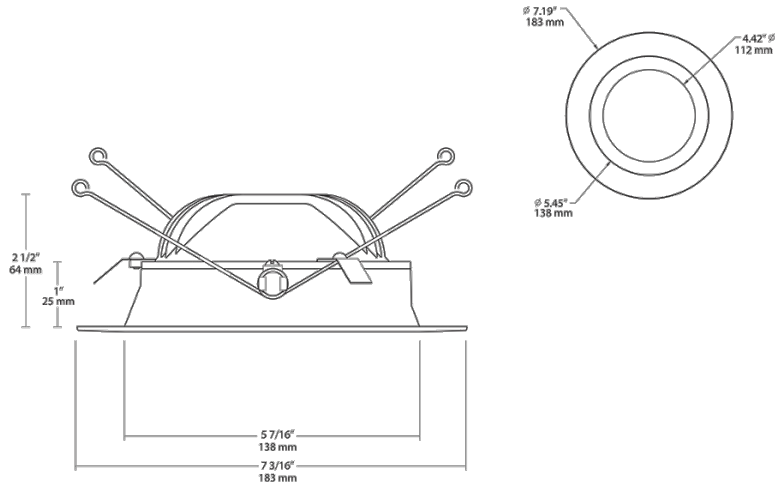
#### California Title 24:

DLED6R8 complies with 2013 California Title 24 building and electrical codes as a commercial indoor fixture for general spaces when used with a vacancy sensor and TRIAC dimming control. Select a vacancy sensor using catalog number LVS800. TRIAC dimmer provided by others.

#### Warranty:

RAB warrants that our LED products will be free from defects in materials and workmanship for a period of ten (10) years from the date of delivery to the end user, including coverage of light output, color stability, driver performance and fixture finish.

## Dimensions

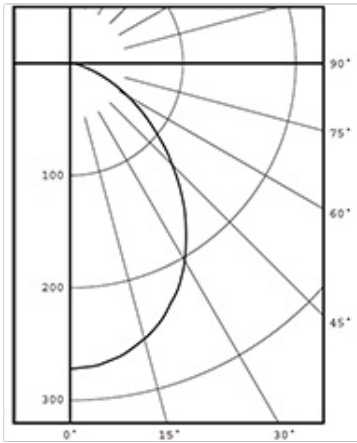


## Features

- Low-profile enables compatibility with 6" housings
- UL Listed for damp locations
- Triac & ELV dimmable
- 10 year warranty

## Photometrics

### candlepower distribution

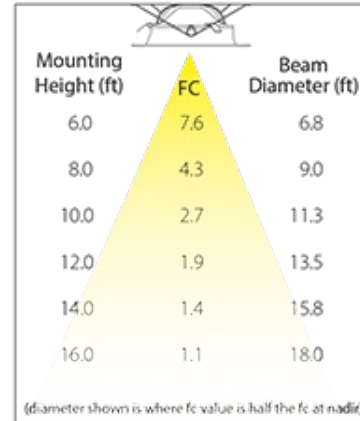


### candela distribution

| vertical deg. | candelas |
|---------------|----------|
| 0             | 272      |
| 5             | 270      |
| 15            | 254      |
| 25            | 224      |
| 35            | 179      |
| 45            | 128      |
| 55            | 80       |
| 65            | 40       |
| 75            | 12       |
| 85            | 3        |
| 90            | 0        |

**LUMENS PER WATT: 62.5**

### cone of light



### zonal lumen summary

| zone   | lumens | % fix. |
|--------|--------|--------|
| 0-30   | 200    | 37.1   |
| 0-40   | 312    | 57.8   |
| 0-60   | 482    | 89.5   |
| 0-90   | 539    | 100.0  |
| 90-180 | 0      | 0.0    |
| 0-180  | 539    | 100.0  |

### luminance (candela/M<sup>2</sup>)

| degrees | avg. luminance |
|---------|----------------|
| 45      | 12083          |
| 55      | 9310           |
| 65      | 6318           |
| 75      | 3095           |
| 85      | 2298           |

## Ordering Matrix

| Family | Size   | Shape     | Watts              | Color Temp   | Type   |
|--------|--------|-----------|--------------------|--|--|
| DLED   | 6 = 6" | R = Round | 8 = 8W<br>12 = 12W | YY = 2700K (Residential Warm)<br>Y = 3000K (Warm)<br>YN = 3500K (Warm Neutral) | Blank = Without Baffle<br>/BAF = With Baffle |