

LED retrofit downlights are perfect for updating existing recessed lighting without changing the fixture. Equivalent to xxW Par.

Color: White

Weight: 4.2 lbs

Project:

Type:

Prepared By:

Date:

Driver Info

| Type | Constant Current |
|-------------|------------------|
| 120V | 0.31A |
| 208V | 0.19A |
| 240V | 0.17A |
| 277V | 0.14A |
| Input Watts | 38.00W |
| Efficiency | N/A |

LED Info

| | |
|----------------|-----------------|
| Watts | 38.00W |
| Color Temp | 4000K (Neutral) |
| Color Accuracy | 82 CRI |
| L70 Lifespan | 100,000 |
| Lumens | N/A |
| Efficacy | 0 LPW |

Technical Specifications

Listings

UL Listed:

Suitable for damp locations; non-IC-rated ceilings

IESNA LM-79 & LM-80 Testing:

RAB LED luminaires and LED components have been tested by an independent laboratory in accordance with IESNA LM-79 and LM-80.

Electrical

Driver:

Class 2, Constant Current, 50-60Hz, 900mA

Dimming:

Universal dimming driver for 0-10V (at 120-277V), TRIAC or ELV (at 120V only). [See dimmer compatibility guide here.](#)

Surge Protection:

6kV

Construction

Housing Component:

This component must be ordered with Retrofit Downlights Trim Module in order to make a complete fixture.

[See here for Retrofit Reflectors.](#)

Cold Weather Starting:

The minimum starting temperature is -30°C (-22°F)

Maximum Ambient Temperature:

Suitable for use in 35°C (95°F)

Lens:

Microprismatic diffusion lens for smooth and even light distribution

Mounting:

Ceiling clamps for easy installation into existing, commercial, recessed downlight frames with opening of 7 7/8" (200mm) minimum and 8 7/8" (225.4mm) maximum (ceiling+can/pan thickness 1 7/16" maximum).

Compatibility:

Low-profile design for maximum compatibility with 8" incandescent recessed downlight housings

Heat Sink:

Die-cast aluminum with external fins for maximum heat dissipation

Finish:

Formulated for high durability and long-lasting color

Green Technology:

Mercury and UV free. RoHS-compliant components.

LED Characteristics

Lifespan:

100,000-hour LED lifespan based on IES LM-80 results and TM-21 calculations

LEDs:

Long-life, high-efficiency surface mount LEDs with 3 step binning

Color Consistency:

3-step MacAdam Ellipse binning to achieve consistent fixture-to-fixture color

Other

Warranty:

RAB warrants that our LED products will be free from defects in materials and workmanship for a period of ten (10) years from the date of delivery to the end user, including coverage of light output, color stability, driver performance and fixture finish. RAB's warranty is subject to all terms and conditions found at rablighting.com/warranty.

Replacement:

Replaces 70Watt Metal Halide and 42 Watt CFL

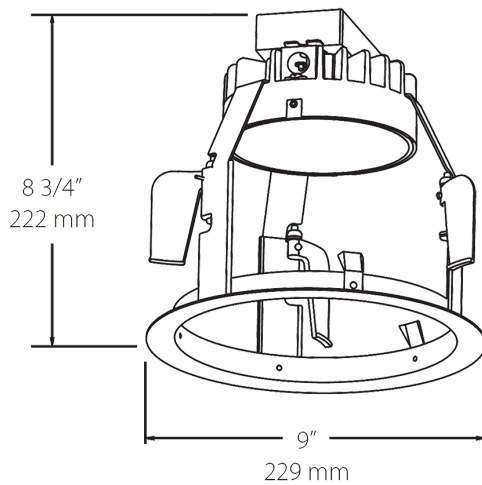
Technical Specifications (continued)

Other

Buy American Act Compliance:

RAB values USA manufacturing! Upon request, RAB may be able to manufacture this product to be compliant with the Buy American Act (BAA). Please contact customer service to request a quote for the product to be made BAA compliant.

Dimensions



Features

- Low-profile enables compatibility with 8" housings
- UL Listed for damp locations
- Triac & ELV dimmable
- 10-Year, No-Compromise Warranty

Ordering Matrix

| Family | Size | Shape | Wattage | Color Temp | CRI | Other Options |
|--------|--------|-----------|----------------------|---|-------------------------------|---|
| DLED | 8 | R | 38 | N | | |
| | 8 = 8" | R = Round | 30 = 30W 38 = 38W | YY = 2700K (Residential Warm) Y = 3000K (Warm) YN = 3500K (Warm Neutral) N = 4000K (Neutral) | Blank = 82 CRI HC = 94 CRI | Blank = Standard USA = BAA Compliant |