



| | |
|---------------------|--------------|
| Project: | Type: |
| Prepared By: | Date: |

| Driver Info | | LED Info | |
|-------------|------------------|----------------|--------------------|
| Type | Constant Current | Watts | 11.00W |
| 120V | 0.099A | | 2700K |
| 208V | N/A | Color Temp | (Residential Warm) |
| 240V | N/A | Color Accuracy | 80 CRI |
| 277V | N/A | L70 Lifespan | 50,000 |
| Input Watts | 10.80W | Lumens | 912 |
| Efficiency | N/A | Efficacy | 84.4 LPW |

Technical Specifications

Listings

UL Listed & UL Classified:

Suitable for wet locations

ENERGY STAR V2.2:

This product is ENERGY STAR® Version 2.2 Certified.

Energy Star Model Number:

DLD0017

Energy Star ID:

2351222

NEC Compliant:

Suitable for use in closets. Compliant with NEC Sec. 410.16 (A)(1) and 410.16 (C)(3).

Electrical

Dimming Driver:

TRIAC compatible dimmer with dimming as low as 5%. [See dimmer compatibility guide here.](#)

PF:

≥0.9

Input Voltage:

120V

Operating Frequency (Hz):

60Hz

LED Characteristics

Lifespan:

50,000-hour LED lifespan based on IES LM-80 results and TM-21 calculations

LEDs:

Long-life, high-efficacy, surface-mount LEDs

Wattage Equivalency:

65W Incandescent

Construction

IC Rated:

Suitable for direct contact with insulation

Housing:

Constructed from durable aluminum that also dissipates heat away from on board high efficacy driver

Cold Weather Starting:

The minimum starting temperature is -30°C (-22°F)

Maximum Ambient Temperature:

Suitable for use in 40°C (104°F)

Lens:

Frosted polycarbonate diffusion lens

Green Technology:

Mercury and UV free. RoHS-compliant components.

Socket Adapter:

Edison 26 Medium Base Socket adapter included in box

Mounting:

Mounting bracket, screws and Retrofit Hardware included in box. Mounts on most standard 4" metal or non-metallic Junction boxes.

Technical Specifications (continued)

Construction

Compatible:

Compatible with most 5" and 6" recessed housings

Finish:

Matte White

Optical

Beam Angle:

120°

Other

Warranty:

RAB warrants that our LED products will be free from defects in materials and workmanship for a period of five (5) years from the date of delivery to the end user, including coverage of light output, color stability, driver performance and fixture finish. RAB's warranty is subject to all terms and conditions found at rablighting.com/warranty.

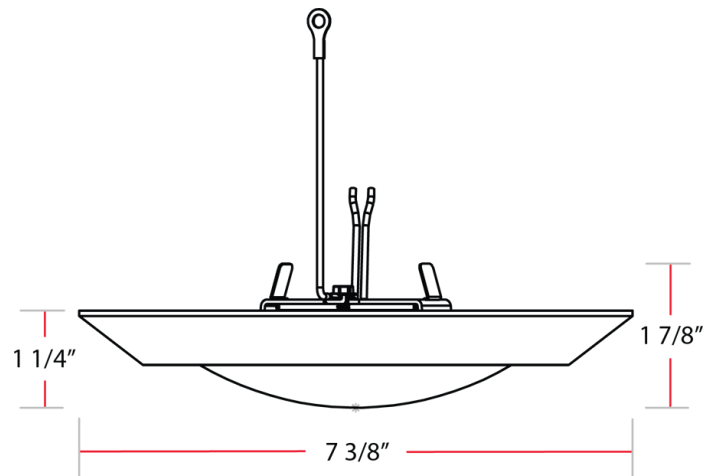
Buy American Act Compliance:

RAB values USA manufacturing! Upon request, RAB may be able to manufacture this product to be compliant with the Buy American Act (BAA). Please contact customer service to request a quote for the product to be made BAA compliant.

Case and Pallet Dimensions

| | QTY | LENGTH | WIDTH | HEIGHT |
|--------|-----|--------|-------|--------|
| CASE | 6 | 16.65 | 8.27 | 8.82 |
| PALLET | 300 | 8.07 | 2.56 | 44.88 |

Dimension



Features

- Low profile driverless design sits just 1" below ceiling
- Robust aluminum housing has high quality weight and feel
- New construction or retrofit applications
- Simple and quick installation with snap in mounting bracket
- Suitable for wet locations
- Dimmable down to 5% on compatible dimmers
- Suitable for use in closets
- 5-Year, No-Compromise Warranty

Ordering Matrix

| Family | Size | Shape | Wattage | CRI/Color Temp | Voltage | Finish |
|--------|------------------|-----------|---------------------------------------|--|------------|-----------|
| DSK | 6 | R | 11 | 827 | 120 | W |
| | 4 = 4" 6 = 6" | R = Round | 11 = 660lm-700lm 15 = 950lm-1000lm | 940 = 90 CRI, 4000K (Neutral) 935 = 90 CRI, 3500K (Warm Neutral) 930 = 90 CRI, 3000K (Warm) 927 = 90 CRI, 2700K (Residential Warm) 840 = 80 CRI, 4000K (Neutral) 835 = 80 CRI, 3500K (Warm Neutral) 830 = 80 CRI, 3000K (Warm) 827 = 80 CRI, 2700K (Residential Warm) | 120 = 120V | W = White |