



<b>Project:</b>	<b>Type:</b>
<b>Prepared By:</b>	<b>Date:</b>

Driver Info		LED Info	
Type	Constant Current	Watts	15.00W
120V	0.133A	Color Temp	3000K (Warm)
208V	N/A	Color Accuracy	90 CRI
240V	N/A	L70 Lifespan	50,000
277V	N/A	Lumens	1,072
Input Watts	14.90W	Efficacy	71.9 LPW
Efficiency	N/A		

## Technical Specifications

### Listings

#### UL Listed & UL Classified:

Suitable for wet locations

#### ENERGY STAR V2.2:

This product is ENERGY STAR® Version 2.2 Certified.

#### Energy Star Model Number:

DLDD010

#### Energy Star ID:

2351220

#### NEC Compliant:

Suitable for use in closets. Compliant with NEC Sec. 410.16 (A)(1) and 410.16 (C)(3).

#### California Title 24:

Can be used to conform with the requirements of California Title 24 Part 6.

### Electrical

#### Dimming Driver:

TRIAC compatible dimmer with dimming as low as 5%. [See dimmer compatibility guide here.](#)

#### PF:

≥0.9

#### Input Voltage:

120V

#### Operating Frequency (Hz):

60Hz

### LED Characteristics

#### Lifespan:

50,000-hour LED lifespan based on IES LM-80 results and TM-21 calculations

#### LEDs:

Long-life, high-efficacy, surface-mount LEDs

#### Wattage Equivalency:

75W Incandescent

#### R9 Value:

High color performance with R9 greater than or equal to 50

#### Flicker:

Silent and flicker free operations of less than 30%

### Construction

#### IC Rated:

Suitable for direct contact with insulation

#### Housing:

Constructed from durable aluminum that also dissipates heat away from on board high efficacy driver

#### Cold Weather Starting:

The minimum starting temperature is -30°C (-22°F)

#### Maximum Ambient Temperature:

Suitable for use in 40°C (104°F)

#### Lens:

Frosted polycarbonate diffusion lens

## Technical Specifications (continued)

### Construction

#### Green Technology:

Mercury and UV free. RoHS-compliant components.

#### Socket Adapter:

Accessory with E26 base available

#### Compatible:

Compatible with most 5" and 6" recessed housings

### Finish:

Matte White

### Optical

#### Beam Angle:

120°

### Other

#### Warranty:

RAB warrants that our LED products will be free from defects in materials and workmanship for a period of five (5) years from the date of delivery to the end user, including coverage of light output, color stability, driver performance and fixture finish. RAB's warranty is subject to all terms and conditions found at [rablighting.com/warranty](http://rablighting.com/warranty).

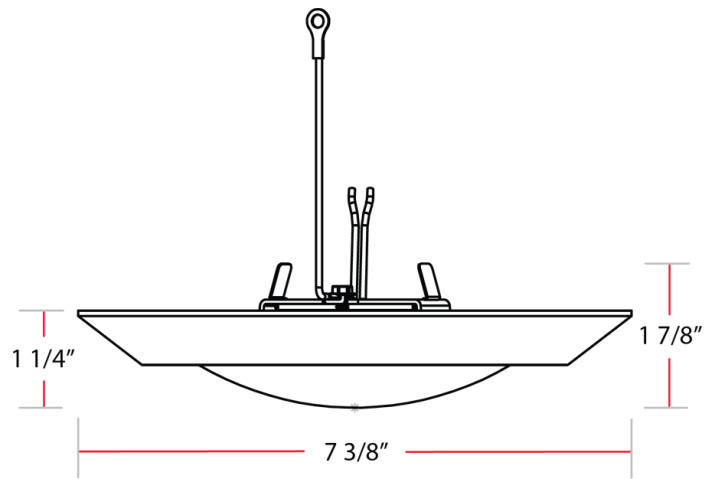
### Buy American Act Compliance:

RAB values USA manufacturing! Upon request, RAB may be able to manufacture this product to be compliant with the Buy American Act (BAA). Please contact customer service to request a quote for the product to be made BAA compliant.

## Case and Pallet Dimensions

	QTY	LENGTH	WIDTH	HEIGHT
CASE	6	16.65	8.27	8.82
PALLET	300	8.07	2.56	44.88

## Dimension



## Features

- Low profile driverless design sits just 1" below ceiling
- Robust aluminum housing has high quality weight and feel
- New construction or retrofit applications
- Simple and quick installation with snap in mounting bracket
- Suitable for wet locations
- Dimmable down to 5% on compatible dimmers
- Suitable for use in closets
- 5-Year, No-Compromise Warranty

## Ordering Matrix

Family	Size	Shape	Wattage	CRI/Color Temp	Voltage	Finish
DSK	6	R	15	930	120	W
	4 = 4" 6 = 6"	R = Round	11 = 660lm-700lm 15 = 950lm-1000lm	<b>940</b> = 90 CRI, 4000K (Neutral) <b>935</b> = 90 CRI, 3500K (Warm Neutral) <b>930</b> = 90 CRI, 3000K (Warm) <b>927</b> = 90 CRI, 2700K (Residential Warm) <b>840</b> = 80 CRI, 4000K (Neutral) <b>835</b> = 80 CRI, 3500K (Warm Neutral) <b>830</b> = 80 CRI, 3000K (Warm) <b>827</b> = 80 CRI, 2700K (Residential Warm)	120 = 120V	W = White