

product

Explosionproof fixture for ceiling mounting. Set screw to stern prevents rotation. Cast aluminum housing, heat and impact resistant globe. Fits all incandescent lamps up to 300 Watt PS-25. Lamp not supplied.

Color: Silver gray

Weight: 9.0 lbs

Project:	Type:
Prepared By:	Date:

Lamp Info		Ballast Info	
Type:	PS-25	Type:	N/A
Watts:	300W	120V:	N/A
Shape/Size:	N/A	208V:	N/A
Base:	N/A	240V:	N/A
ANSI:	N/A	277V:	N/A
Hours:	N/A	Input Watts:	0W
Lamp Lumens:	N/A		
Efficacy:	N/A		

Technical Specifications

Construction

Housings:

Heavy cast aluminum. Unit withstands 1490 lbs. per square inch hydrostatic pressure.

Globe:

Impact and heat resistant clear prismatic design affords excellent light control.

Finish:

Our environmentally friendly polyester powder coatings are formulated for high-durability and long-lasting color, and contains no VOC or toxic heavy metals.

Reflectors:

Heavy gauge aluminum with highly reflective white acrylic finish.

Hub Size:

1/2"

Hub Count:

1

Weight:

11 lb / 5 kg.

Electrical

Wiring:

Wiring is factory sealed. Inspection hole provides easy access to splice compartment.

Socket:

Medium base glazed porcelain. Leads pass through sealing compound that separates lamp chamber from wiring compartment. Heavy gauge nickel plated copper components. Spring loaded center contact.

Other

Refer to the catalog for Class and Division specifications:

Guard not supplied:

Country of Origin:

Designed by RAB in New Jersey and assembled in the USA by RAB's IBEW Local 3 workers.

Buy American Act Compliant:

This product is a COTS item manufactured in the United States, and is compliant with the Buy American Act.

Recovery Act (ARRA) Compliant:

This product complies with the 52.225-21 "Required Use of American Iron, Steel, and Manufactured Goods-- Buy American Act-- Construction Materials (October 2010).

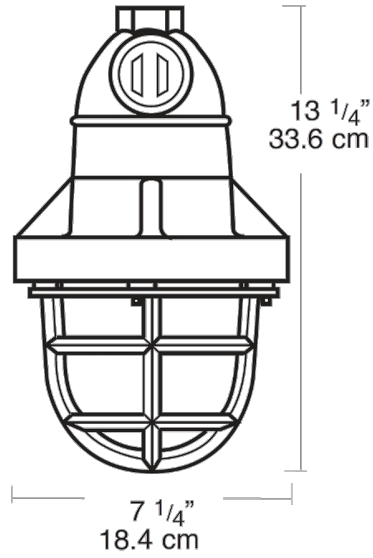
Trade Agreements Act Compliant:

This product is a COTS item manufactured in the United States, and is compliant with the Trade Agreements Act.

GSA Schedule:

Suitable in accordance with FAR Subpart 25.4.

Dimensions



Features

- Fixture comes complete with built-in junction box
- Cast aluminum construction with gray polyester powder coat finish
- Easy relamping with a single thumb screw
- Factory sealed for easy installation
- Heat and impact resistant prismatic glass globe
- Die cast guard
- Easy field installation