



1' x 4' EZPAN edgelit LED panel lights provide smooth and uniform light edge-to-edge for a clean, modern look. Includes built in support for Lightcloud, a wireless lighting control system and service, fully developed by RAB.

Color: White

Weight: 10.4 lbs

Project:

Type:

Prepared By:

Date:

#### Driver Info

|             |                  |
|-------------|------------------|
| Type        | Constant Current |
| 120V        | 0.25A            |
| 208V        | 0.20A            |
| 240V        | 0.13A            |
| 277V        | 0.12A            |
| Input Watts | 31.50W           |

#### LED Info

|                |                      |
|----------------|----------------------|
| Watts          | 30W                  |
| Color Temp     | 3500K (Warm Neutral) |
| Color Accuracy | 83 CRI               |
| L70 Lifespan   | 60,000               |
| Lumens         | 3,530                |
| Efficacy       | 112.1 lm/W           |

## Technical Specifications

### Lightcloud

#### Lightcloud Controller Installed:

Fixture, Zone, and plug-load control from one powerful device. Capable of switching, 0-10V dimming, power monitoring. Can also be used to extend the range of the Lightcloud mesh network. Attach to fixture, junction box, or electrical panel. [Learn more about Lightcloud.](#)

### Listings

#### UL Listed:

Suitable for damp locations

#### IESNA LM-79 & LM-80 Testing:

RAB LED luminaires and LED components have been tested by an independent laboratory in accordance with IESNA LM-79 and LM-80.

#### DLC Listed:

This product is on the Design Lights Consortium (DLC) Qualified Products List and is eligible for rebates from DLC Member Utilities. DLC Product Code: PS7TJ32W

### Electrical

#### Driver:

Constant Current, Class 2, 50/60 Hz, 120-277V, 120V: 0.25A, 208V: 0.20A, 240V: 0.13A, 277V: 0.12A

#### THD:

9.99% at 120V, 9.55% at 277V

#### Power Factor:

98.9% at 120V, 95.0% at 277V

#### Note:

All values are typical (tolerance +/- 10%)

#### Battery Backup:

Battery backup will operate the LED Lamp for 90 minutes if power fails. Wired for 120V-277V.

#### Battery Backup Light Loss Factor:

0.43

### LED Characteristics

#### Lifespan:

60,000-hour LED lifespan based on IES LM-80 results and TM-21 calculations

#### LEDs:

Long-life, high-efficacy, surface-mount LEDs

### Construction

#### Maximum Ambient Temperature:

Suitable for use in -30°C (-22°F) to 50°C(122°F)

#### IC Rated:

Suitable for insulated ceilings

## Technical Specifications (continued)

### Construction

#### Lens:

Frosted Polystyrene

#### Mounting:

Recessed ceiling

#### Housing:

Lightweight aluminum housing, steel pan and junction box

### Installation:

Standard integral T-bar clips secure the fixture to T-bars and prevent T-system separation

### Finish:

Formulated for high durability and long-lasting color

### Green Technology:

Mercury and UV free. RoHS-compliant components.

### Other

#### Warranty:

RAB warrants that our LED products will be free from defects in materials and workmanship for a period of five (5) years from the date of delivery to the end user, including coverage of light output, color stability, driver performance and fixture finish. RAB's warranty is subject to all terms and conditions found at [rablighting.com/warranty](http://rablighting.com/warranty).

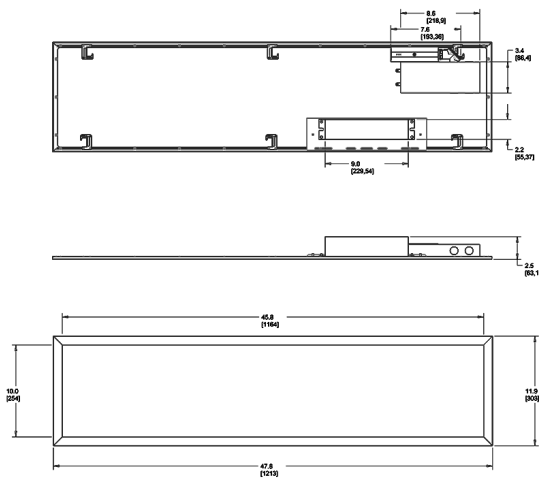
#### Equivalency :

Equivalent to (4)F32T8 or (4)F28T5

#### Buy American Act Compliance:

RAB values USA manufacturing! Upon request, RAB may be able to manufacture this product to be compliant with the Buy American Act (BAA). Please contact customer service to request a quote for the product to be made BAA compliant.

## Dimensions



## Features

Perfect for shallow plenums

Even and diffuse ambient illumination, ideal for spaces where glare-free lighting is required

0-10V dimmable driver, standard

## Ordering Matrix

| Family | Size          | Wattage  | Color Temp                | Dimming (standard)   | Control Options              | Other Options        |
|--------|---------------|----------|---------------------------|----------------------|------------------------------|----------------------|
| EZPAN  | 1X4           | 30       | YN                        | /D10                 | /LC                          | /E2                  |
|        | 2X4 = 2' x 4' | 17 = 17W | Blank = 5000K (Cool)      | /D10 = 0-10V Dimming | Blank = No Sensor            | Blank = None         |
|        | 2X2 = 2' x 2' | 30 = 30W | N = 4000K (Neutral)       |                      | /LC = Lightcloud® Controller | /E2 = Battery Backup |
|        | 1X4 = 1' x 4' | 40 = 40W | YN = 3500K (Warm Neutral) |                      |                              |                      |
|        |               | 50 = 50W | Y = 3000K (Warm)          |                      |                              |                      |