



2' x 4' EZPAN edgelit LED panel lights with emergency battery Backup that will operate the LED Lamp for 90 minutes if power fails. Install in drop ceilings or use optional surface, pendant or recessed (dry wall) mounting kits.

Color: White

Weight: 16.4 lbs

Project:

Type:

Prepared By:

Date:

Driver Info

Type:	Constant Current
120V:	0.25A
208V:	0.15A
240V:	0.13A
277V:	0.11A
Input Watts:	30W
Efficiency:	N/A

LED Info

Watts:	30W
Color Temp:	4000K
Color Accuracy:	84 CRI
L70 Lifespan:	60000
Lumens:	3662
Efficacy:	122 LPW

Technical Specifications

Listings

UL Listing:

Suitable for damp locations

DLC Listed:

This product is on the Design Lights Consortium (DLC) Qualified Products List and is eligible for rebates from DLC Member Utilities.

DLC Product Code: P21VPDE9

IESNA LM-79 & LM-80 Testing:

RAB LED luminaires have been tested by an independent laboratory in accordance with IESNA LM-79 and LM-80, and have received the Department of Energy "Lighting Facts" label

LED Characteristics

Note:

All values are typical (tolerance +/- 10%)

Lifespan:

60,000-hour LED lifespan based on IES LM-80 results and TM-21 calculations

LEDs:

Long-life, High efficiency, micro-power, surface mount LEDs

Construction

Ambient Temperature:

Suitable for use in -30°C (-22°F) to 50°C(122°F) ambient temperatures

IC Rating:

Suitable for insulated ceilings

Lens:

Frosted polystyrene

Mounting:

Recessed ceiling

Housing:

Lightweight aluminum housing, steel pan and junction box

Installation:

Standard integral T-bar clips secure the fixture to T-bars and prevent T-system separation

Finish:

Formulated for high-durability and long lasting color

Green Technology:

Mercury and UV-free. RoHS compliant components. Polyester powder coat finish formulated without the use of VOCs or toxic heavy metals.

Electrical

Driver:

Constant Current, Class 2, 120-277V, 50/60Hz, 120V: 0.25A, 208V: 0.15A, 240V: 0.13A, 277V: 0.11A

Dimming Driver:

Driver includes dimming control wiring for 0-10V dimming systems. Requires separate 0-10V DC dimming circuit. Dims as low as 10%.

Emergency Battery Backup:

Emergency battery backup will operate the fixture for 90 minutes if power fails. Wired for 120-277V.

THD:

8.8% at 120V, 7.7% at 277V

Power Factor:

99.2% at 120V, 97.3% at 277V

Other

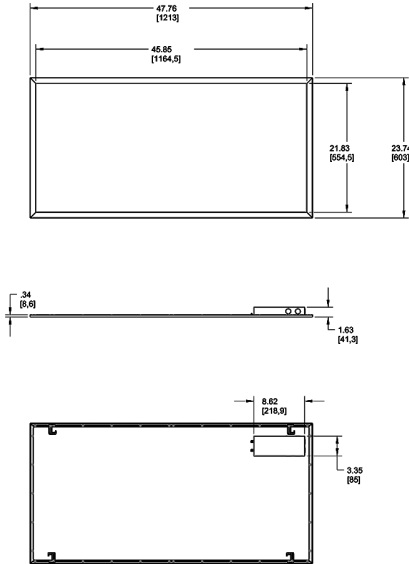
Warranty:

RAB warrants that our LED products will be free from defects in materials and workmanship for a period of five (5) years from the date of delivery to the end user, including coverage of light output, color stability, driver performance and fixture finish.

Buy American Act Compliance:

RAB values USA manufacturing! Upon request, RAB may be able to manufacture this product to be compliant with the Buy American Act (BAA). Please contact customer service to request a quote for the product to be made BAA compliant.

Dimensions



Features

- Perfect for shallow plenums
- Even and diffuse ambient illumination, ideal for spaces where glare-free lighting is required
- 0-10V dimmable driver, standard

Ordering Matrix

Family	Size	Wattage	Color Temp	Driver	Options
EZPAN	2X4	30	N	/D10	/E2
	2X4 = 2' x 4'	30 = 30W 40 = 40W 50 = 50W	Blank = 5000K (Cool) N = 4000K (Neutral) YN = 3500K (Warm Neutral) Y = 3000K (Warm)	/D10 = 0-10V Dimming	Blank = No Option /LC = Lightcloud® Controller /E2 = Emergency Battery 120-277V