



<b>Project:</b>	<b>Type:</b>
<b>Prepared By:</b>	<b>Date:</b>

Driver Info		LED Info	
Type:	Constant Current	Watts:	50W
120V:	0.43A	Color Temp:	4000K
208V:	0.24A	Color Accuracy:	82 CRI
240V:	0.22A	L70 Lifespan:	60000
277V:	0.20A	Lumens:	5,902
Input Watts:	50W	Efficacy:	117 LPW
Efficiency:	99%		

## Technical Specifications

### Listings

#### UL Listing:

Suitable for damp locations

#### DLC Listed:

This product is on the Design Lights Consortium (DLC) Qualified Products List and is eligible for rebates from DLC Member Utilities.

DLC Product Code: P8W2DQSW

#### IESNA LM-79 & LM-80 Testing:

RAB LED luminaires have been tested by an independent laboratory in accordance with IESNA LM-79 and LM-80, and have received the Department of Energy "Lighting Facts" label.

### LED Characteristics

#### Lifespan:

60,000-hour LED lifespan based on IES LM-80 results and TM-21 calculations.

#### LEDs:

Long-life, High efficiency, micro-power, surface mount LEDs; binned and mixed for uniform light output and color.

#### Color Consistency:

3-step MacAdam Ellipse binning to achieve consistent fixture-to-fixture color.

### Electrical

#### Driver:

100-277V, 50/60Hz, THD <15%, Power Factor > 90%, Surge Protection 1 kV

#### Dimming Driver:

Driver includes dimming control wiring for 0-10V dimming systems. Requires separate 0-10V DC dimming circuit. Dims as low as 10%.

#### THD:

6.9% at 120V, 13.6% at 277V

#### Power Factor:

99.1% at 120V, 90.4% at 277V

### Construction

#### Maximum Ambient Temperature:

Suitable for use in 40°C (104°F) ambient temperatures

#### IC Rating:

Suitable for insulated ceilings

#### Lens:

Frosted polystyrene

#### Cold Weather Starting:

The minimum starting temperature is -4°F/-20°C.

#### Mounting:

Recessed ceiling

#### Housing:

Lightweight aluminum housing, steel pan and junction box

#### Installation:

Standard integral T-bar clips secure the fixture to T-bars and prevent T-system separation.

#### Finish:

Our environmentally friendly polyester powder coatings are formulated for high-durability and long-lasting color, and contains no VOC or toxic heavy metals.

#### Green Technology:

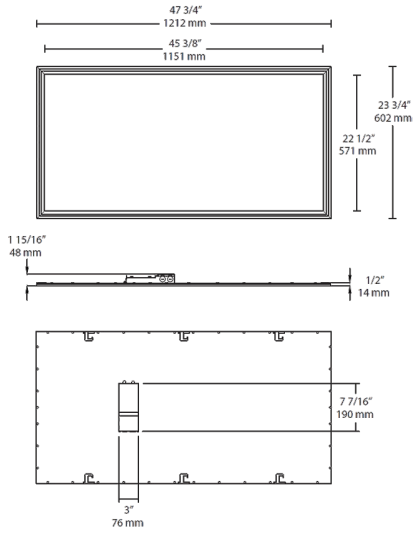
Mercury and UV free. RoHS compliant components. Polyester powder coat finish formulated without the use of VOC or toxic heavy metals.

#### Other

#### Warranty:

RAB warrants that our LED products will be free from defects in materials and workmanship for a period of five (5) years from the date of delivery to the end user, including coverage of light output, color stability, driver performance and fixture finish.

## Dimensions



## Features

- Perfect for shallow plenums
- Even and diffuse ambient illumination, ideal for spaces where glare-free lighting is required
- 0-10V dimmable driver, standard

## Ordering Matrix

Family	Size	Watts	Color Temp	Dimming	Lightcloud
EZPAN	2X4	50	N	/D10	
	2X4 = 2' x 4'	40 = 40W 50 = 50W	Y = 3000K (Warm) YN = 3500K (Warm Neutral) N = 4000K (Neutral) Blank = 5000K (Cool)	/D10 = Dimmable	Blank = No Lightcloud /LC = Lightcloud