



Compact, tough and good looking cast aluminum housing with hinged framed glass lens. Integra Hood glare shield and stainless steel clip. Lamp supplied.

Color: Bronze

Weight: 7.5 lbs

|                     |              |
|---------------------|--------------|
| <b>Project:</b>     | <b>Type:</b> |
| <b>Prepared By:</b> | <b>Date:</b> |

| Lamp Info    |        | Ballast Info |            |
|--------------|--------|--------------|------------|
| Type:        | ED17   | Type:        | R-NPF 120V |
| Watts:       | 100W   | 120V:        | 3.1/2.1A   |
| Shape/Size:  | N/A    | 208V:        | N/A        |
| Base:        | N/A    | 240V:        | N/A        |
| ANSI:        | N/A    | 277V:        | N/A        |
| Hours:       | 24,000 | Input Watts: | 115W       |
| Lamp Lumens: | 9,500  | Efficiency:  | 87%        |
| Efficacy:    | 83 LPW |              |            |

## Technical Specifications

### Electrical

#### Photocell:

120V Swivel Photocell Included. Photocell is only compatible with 120V.

#### Sockets:

Porcelain with all copper current carrying components.

#### Socket:

Glazed porcelain 4kv pulse rated with nickel plated screw shell and spring contacts.

### Listings

#### UL Listing:

Suitable for wet locations. Suitable for ground mounting.

### Construction

#### Housing:

Precision die cast aluminum, 1/2" NPS threaded arm with locking swivel fits all standard mounting boxes.

#### Reflector:

Anodized semi-specular aluminum.

#### Lens:

Thermal tempered shock resistant glass.

#### Lens Gasket:

High temperature tubular silicone set in die cast retaining groove remains in place during relamping.

#### Finish:

Our environmentally friendly polyester powder coatings are formulated for high-durability and long-lasting color, and contains no VOC or toxic heavy metals.

#### EPA:

0.43.

### Other

#### Patents:

Pat. D420,458.

#### Country of Origin:

Designed by RAB in New Jersey and assembled in the USA by RAB's IBEW Local 3 workers.

#### Buy American Act Compliant:

This product is a COTS item manufactured in the United States, and is compliant with the Buy American Act.

#### Recovery Act (ARRA) Compliant:

This product complies with the 52.225-21 "Required Use of American Iron, Steel, and Manufactured Goods-- Buy American Act-- Construction Materials (October 2010).

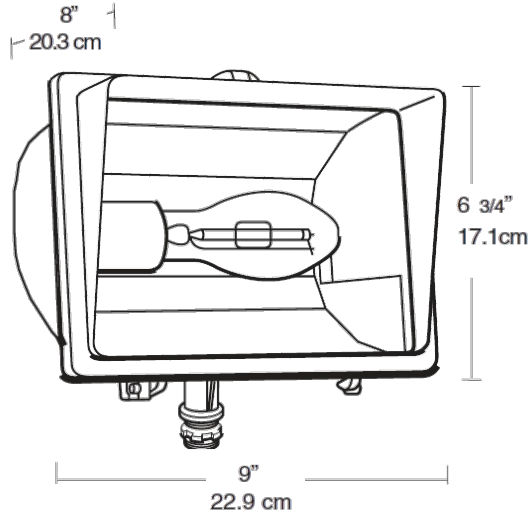
#### Trade Agreements Act Compliant:

This product is a COTS item manufactured in the United States, and is compliant with the Trade Agreements Act.

#### GSA Schedule:

Suitable in accordance with FAR Subpart 25.4.

## Dimensions



## Features

- Easy clip for tool-less relamping with Vandal proof screw capability
- Integra hood glare shield for friendly lighting when properly aimed
- Silicone gasket stays in place for durable weatherproofing & easy relamping
- Precision die cast aluminum housing with durable polyester powder coating
- Variable beam spread with 2 position adjustable socket
- Long life lamp included
- Mounting arm with sturdy locking teeth & internal gasket