



Rectangular shaped LED floodlight designed to replace 175W Metal Halide. Patent Pending airflow technology ensures long LED and driver lifespan. Use for building facade lighting, sign lighting, LED landscape lighting and instant-on security lighting.

Color: Bronze

Weight: 12.5 lbs

|                     |              |
|---------------------|--------------|
| <b>Project:</b>     | <b>Type:</b> |
| <b>Prepared By:</b> | <b>Date:</b> |

| Driver Info  |                  | LED Info        |        |
|--------------|------------------|-----------------|--------|
| Type:        | Constant Current | Watts:          | 52W    |
| 120V:        | N/A              | Color Temp:     | 4000K  |
| 208V:        | N/A              | Color Accuracy: | 81 CRI |
| 240V:        | N/A              | L70 Lifespan:   | 100000 |
| 277V:        | N/A              | Lumens:         | 4,388  |
| Input Watts: | 54W              | Efficacy:       | 81 LPW |
| Efficiency:  | 96%              |                 |        |

## Technical Specifications

### Listings

#### UL Listing:

Suitable For Wet Locations. Suitable for mounting within 1.2M(4FT) of the ground.

#### IESNA LM-79 & LM-80 Testing:

RAB LED luminaires have been tested by an independent laboratory in accordance with IESNA LM-79 and LM-80, and have received the Department of Energy "Lighting Facts" label.

### LED Characteristics

#### Lifespan:

100,000-hour LED lifespan based on IES LM-80 results and TM-21 calculations.

#### Color Consistency:

3-step MacAdam Ellipse binning to achieve consistent fixture-to-fixture color.

#### Color Stability:

LED color temperature is warranted to shift no more than 200K in CCT over a 5 year period.

#### Color Uniformity:

RAB's range of CCT (Correlated Color Temperature) follows the guidelines of the American National Standard for (SSL) Products, ANSI C78.377-2015.

### Electrical

#### Driver:

Constant Current, Class 2, 100-277V, 50/60 Hz, 4 kV surge protection, 480V: 0.13A, 347V: 0.11A

### Construction

#### Ambient Temperature:

Suitable for use in 40°C ambient temperatures.

#### Cold Weather Starting:

The minimum starting temperature is -40°C/-40°F

### Thermal Management Housing:

Superior heat sinking with external Air-Flow fins.

### Housing:

Die-cast aluminum housing, lens frame and mounting arm.

### Threaded Size:

1/2" threaded arm.

### Mounting:

Heavy-duty mounting arm with "O" ring seal & stainless steel screw.

### Effective Projected Area:

EPA = 0.65

### Reflector:

Specular polycarbonate

### Gaskets:

High-temperature silicone gaskets.

### Finish:

Our environmentally friendly polyester powder coatings are formulated for high-durability and long-lasting color, and contains no VOC or toxic heavy metals.

### Green Technology:

Mercury and UV free. RoHS compliant components. Polyester powder coat finish formulated without the use of VOC or toxic heavy metals.

### Other

#### Equivalency:

The FFLED52YB44 is equivalent in delivered lumens to a 175W Metal Halide.

#### California Title 24:

Select an FFLED52YB44 model equipped with a 0-10V driver (look for /D10 in the catalog #) for a 2013 California Title 24 compliant model.

#### Warranty:

RAB warrants that our LED products will be free from defects in materials and workmanship for a period of five (5) years from the date of delivery to the end user, including coverage of light output, color stability, driver performance and fixture finish.

#### Patents:

The FFLED design is protected by U.S. Pat. D643,147, Canada Pat. 140798, China Pat. ZL201130171304.1, Mexico Pat. 36757 and pending patent in Taiwan.

#### Country of Origin:

Designed by RAB in New Jersey and assembled in the USA by RAB's IBEW Local 3 workers.

#### Buy American Act Compliant:

This product is a COTS item manufactured in the United States, and is compliant with the Buy American Act.

#### Recovery Act (ARRA) Compliant:

This product complies with the 52.225-21 "Required Use of American Iron, Steel, and Manufactured Goods-- Buy American Act-- Construction Materials (October 2010).

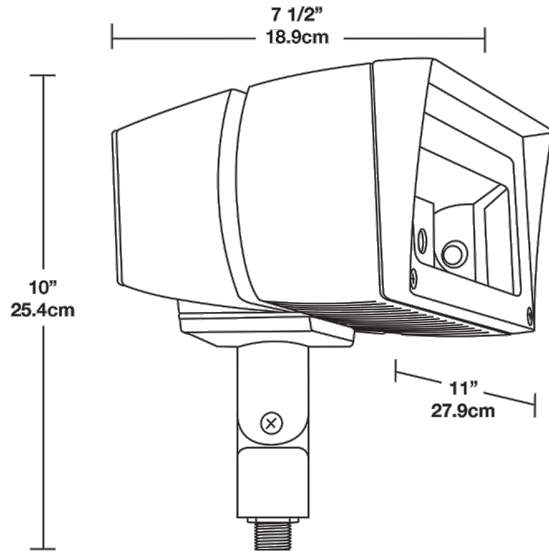
#### Trade Agreements Act Compliant:

This product is a COTS item manufactured in the United States, and is compliant with the Trade Agreements Act.

## Technical Specifications (continued)

|   |  |  |
|---|--|--|
| <p><b>Other</b></p> <hr/> <p><b>GSA Schedule:</b><br/>Suitable in accordance with FAR Subpart 25.4.</p> | <p><b>American Bureau of Shipping (ABS) :</b><br/>For use on Mobile Offshore Drilling Units (MODU) and shipping vessels.</p> | <p><b>Optical</b></p> <hr/> <p><b>NEMA Type:</b><br/>NEMA Beam Spread of 4H x 4V</p> |
|---|--|--|

### Dimensions



### Features

- Ultra efficient LED and optical design
- Replaces 175W MH floodlights
- 100,000 hour life based on LM-80 tests
- Air-flow technology heatsink
- 5-year warranty

### Ordering Matrix

| Family | Watts    | Mount  | Color Temp  | Beam Spread                                       | Finish                      | Dimming                               | Voltage                             | Photocell  |
|--------|----------|--|---|---|-----------------------------|---------------------------------------|-------------------------------------|--|
| FFLED  | 52 = 52W | Blank = Arm<br>T = Trunnion<br>SF = Slipfitter | Blank = 5000K (Cool)<br>Y = 3000K (Warm)<br>N = 4000K (Neutral) | Blank = 7H x 6V<br>B44 = 4H x 4V<br>B55 = 5H x 5V | Blank = Bronze<br>W = White | Blank = No Dimming<br>/D10 = Dimmable | Blank = 120-277V<br>/480 = 480 Volt | Blank = No Photocell<br>/PC = 120V Button<br>/PC2 = 277V Button<br>/PCS = 120V Swivel<br>/PCS2 = 277V Swivel |