



|                     |              |
|---------------------|--------------|
| <b>Project:</b>     | <b>Type:</b> |
| <b>Prepared By:</b> | <b>Date:</b> |

| Driver Info |                  | LED Info       |                        |
|-------------|------------------|----------------|------------------------|
| Type        | Constant Current | Watts          | 180W                   |
| 120V        | N/A              | Color          | 3000K (Warm)           |
| 208V        | N/A              | Temp           |                        |
| 240V        | N/A              | Color Accuracy | 83/82/82 CRI           |
| 277V        | N/A              | L70            |                        |
| Input Watts | 105.7/170/253.9W | Lifespan       | 100,000 Hours          |
|             |                  | Lumens         | 15978/25291/36371      |
|             |                  | Efficacy       | 151.2/148.8/143.2 lm/W |

## Technical Specifications

### Field Adjustability

#### Field Adjustable:

Field Adjustable Light Output:  
120W/180W/230W (factory default 180W)  
Color temperature (3000K)

### Compliance

#### UL Listed:

Suitable for wet locations. Suitable for mounting within 1.2m (4ft) of the ground.

#### IESNA LM-79 & LM-80 Testing:

RAB LED luminaires and LED components have been tested by an independent laboratory in accordance with IESNA LM-79 and LM-80.

#### DLC Listed:

This product is listed by Design Lights Consortium (DLC) as an ultra-efficient premium product that qualifies for the highest tier of rebates from DLC Member Utilities. Designed to meet DLC 5.1 requirements.

DLC Product Code: PZE1VZRI

### Electrical

#### Driver:

120W: Constant Current, Class 1, 480V, 50/60 Hz, 480V: 0.26A

180W: Constant Current, Class 2, 480V, 50/60 Hz, 480V: 0.39A

#### Dimming Driver:

Driver includes dimming control wiring for 0-10V dimming systems. Requires separate 0-10V DC dimming circuit. Dims down to 10%.

#### THD:

11.43% at 480V

#### Power Factor:

92.55% at 480V

#### 7-Pin Receptacle:

ANSI C136.41 7-pin receptacle

#### Surge Protection:

6kV

### LED Characteristics

#### LEDs:

Long-life, high-efficiency, discrete, surface-mount LEDs

#### Color Consistency:

7-step MacAdam Ellipse binning to achieve consistent fixture-to-fixture color

#### Color Stability:

LED color temperature is warranted to shift no more than 200K in color temperature over a 5-year period

#### Color Uniformity:

RAB's range of Correlated Color Temperature follows the guidelines of the American National Standard for (SSL) Products, ANSI C78.377-2017.

# FFLEDLYSFW/480/7PR



230W: Constant Current, Class 2, 480V, 50/60 Hz,  
480V: 0.55A

## Technical Specifications (continued)

### Performance

#### Lifespan:

100,000-Hour LED lifespan based on IES LM-80 results and TM-21 calculations

### Construction

#### IP Rating:

Ingress protection rating of IP66 for dust and water

#### Cold Weather Starting:

The minimum starting temperature is -40°C (-40°F)

#### Ambient Temperature:

Suitable for use in up to 40°C (104°F)

#### Housing:

Die-cast aluminum

#### Mounting:

2 3/8" slipfitter mount with stainless steel hardware

#### Tilt Increment:

Rotates in 5 degree increments

#### Lens:

Ultra clear, tempered glass

#### Reflector:

Vacuum metalized polycarbonate

#### Gaskets:

High-temperature silicone gaskets

#### Finish:

Formulated for high durability and long-lasting color

#### Green Technology:

Mercury and UV free. RoHS-compliant components.

### Optical

#### NEMA Type:

NEMA Beam Spread of 7H x 6V

### Other

#### Warranty:

RAB warrants that our LED products will be free from defects in materials and workmanship for a period of ten (10) years from the date of delivery to the end user, including coverage of light output, color stability, driver performance and fixture finish. RAB's warranty is subject to all terms and conditions found at [rablighting.com/warranty](http://rablighting.com/warranty).

#### Trade Agreements Act Compliant:

This product is a product of Cambodia and a "designated country" end product that complies with the Trade Agreements Act

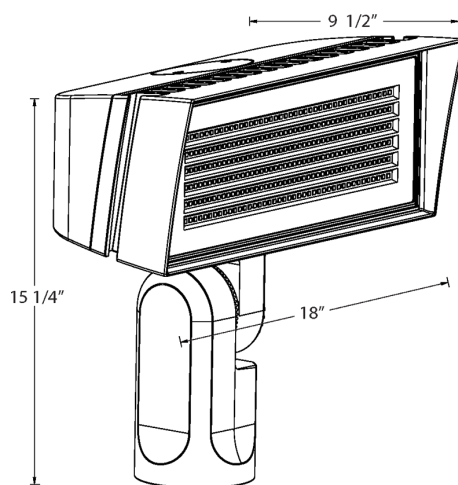
#### Buy American Act Compliance:

RAB values USA manufacturing! Upon request, RAB may be able to manufacture this product to be compliant with the Buy American Act (BAA). Please contact customer service to request a quote for the product to be made BAA compliant.

#### Equivalency:

Equivalent to 1000W Metal Halide

## Dimensions



## Features

Ultra-efficient LED and optical design

100,000-hour life based on LM-80 results and TM-21 calculations

DLC Premium Listed

10-Year, No-Compromise Warranty

Ordering Matrix

| Family | Housing Size  | Color Temp  | Mounting  | Finish                                     | Voltage  | Options  |
|--------|---|---|---|--|--|--|
| FFLED  | L   | Y   | SF  | W  | /480   | /7PR   |
|        | <p>S = Small - Field Adjustable<br/>18W/26W/39W</p> <p>M = Medium - Field Adjustable<br/>52W/80W</p> <p>L = Large - Field Adjustable<br/>120W/180W/230W</p> | <p>Blank = Field Adjustable<br/>5000K/4000K</p> <p>Y = 3000K Warm</p> | <p>Blank = Knuckle<br/>Mount</p> <p>SF = Slipfitter</p> <p>T = Trunnion</p> | <p>Blank =<br/>Bronze</p> <p>W = White</p> | <p>Blank = 120-277V,<br/>0-10V Dimming</p> <p>/480 = 480V, 0-10V<br/>Dimming</p> | <p>Blank = No Option</p> <p>/7PR = 7Pin Receptacle</p> <p>/PCU = 120-277V Button<br/>Photocell</p> |