



<b>Project:</b>	<b>Type:</b>
<b>Prepared By:</b>	<b>Date:</b>

Driver Info		LED Info	
Type	Constant Current	Watts	52W
120V	0.44A	Color Temp	3000K (Warm)
208V	0.25A	Color Accuracy	82 CRI
240V	0.22A	L70 Lifespan	100,000 Hours
277V	0.19A	Lumens	7467/9758
Input Watts	55.8/76W	Efficacy	133.8/128.5 lm/W

**Technical Specifications**

**Field Adjustability**

**Field Adjustable:**

Field Adjustable Light Output:  
52W/80W (factory default 52W)  
Color temperature (3000K)

**Compliance**

**UL Listed:**

Suitable for wet locations. Suitable for mounting within 1.2m (4ft) of the ground.

**IESNA LM-79 & LM-80 Testing:**

RAB LED luminaires and LED components have been tested by an independent laboratory in accordance with IESNA LM-79 and LM-80.

**DLC Listed:**

This product is listed by Design Lights Consortium (DLC) as an ultra-efficient premium product that qualifies for the highest tier of rebates from DLC Member Utilities. Designed to meet DLC 5.1 requirements.  
DLC Product Code: P5LQY18Z

**Electrical**

**Driver:**

52W: Constant Current, Class 2, 120-277V, 50/60 Hz,  
120V: 0.44A, 208V: 0.25A, 240V: 0.22A, 277V: 0.19A

80W: Constant Current, Class 2, 120-277V, 50/60 Hz,  
120V: 0.67A, 208V: 0.39A, 240V: 0.34A, 277V: 0.29A

**Dimming Driver:**

Driver includes dimming control wiring for 0-10V dimming systems. Requires separate 0-10V DC dimming circuit. Dims down to 10%.

**THD:**

3.44% at 120V, 7.18% at 277V

**Power Factor:**

99.77% at 120V, 92.52% at 277V

**Surge Protection:**

6kV

**LED Characteristics**

**LEDs:**

Long-life, high-efficacy, discrete, surface-mount LEDs

**Color Consistency:**

7-step MacAdam Ellipse binning to achieve consistent fixture-to-fixture color

**Color Stability:**

LED color temperature is warrantied to shift no more than 200K in color temperature over a 5-year period

**Color Uniformity:**

RAB's range of Correlated Color Temperature follows the guidelines of the American National Standard for (SSL) Products, ANSI C78.377-2017.

**Performance**

**Lifespan:**

100,000-Hour LED lifespan based on IES LM-80 results and TM-21 calculations

## Technical Specifications (continued)

### Construction

#### IP Rating:

Ingress protection rating of IP66 for dust and water

#### Cold Weather Starting:

The minimum starting temperature is -40°C (-40°F)

#### Ambient Temperature:

Suitable for use in up to 40°C (104°F)

#### Housing:

Die-cast aluminum

#### Mounting:

Robust knuckle mount with 180° adjustable swivel arm. Tilt angle in 10° increments.

#### Lens:

Ultra clear, tempered glass

#### Reflector:

Vacuum metalized polycarbonate

#### Gaskets:

High-temperature silicone gaskets

#### Finish:

Formulated for high durability and long-lasting color

#### Green Technology:

Mercury and UV free. RoHS-compliant components.

### Optical

#### NEMA Type:

NEMA Beam Spread of 7H x 6V

### Other

#### Warranty:

RAB warrants that our LED products will be free from defects in materials and workmanship for a period of ten (10) years from the date of delivery to the end user, including coverage of light output, color stability, driver performance and fixture finish. RAB's warranty is subject to all terms and conditions found at [rablighting.com/warranty](http://rablighting.com/warranty).

#### Trade Agreements Act Compliant:

This product is a product of Cambodia and a "designated country" end product that complies with the Trade Agreements Act

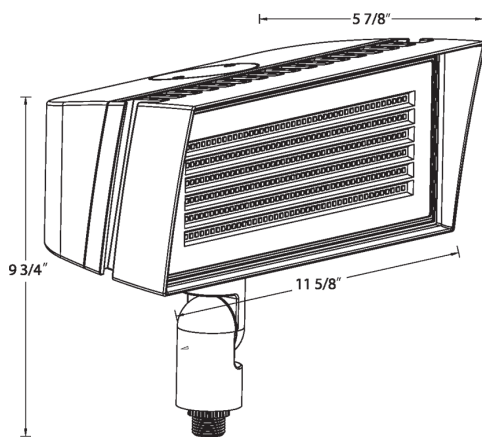
#### Buy American Act Compliance:

RAB values USA manufacturing! Upon request, RAB may be able to manufacture this product to be compliant with the Buy American Act (BAA). Please contact customer service to request a quote for the product to be made BAA compliant.

#### Equivalency:

Equivalent to 350W Metal Halide

## Dimensions



## Features

Ultra-efficient LED and optical design

100,000-hour life based on LM-80 results and TM-21 calculations

DLC Premium Listed

10-Year, No-Compromise Warranty

Ordering Matrix

Family	Housing Size	Color Temp	Mounting	Finish	Voltage	Options
FFLED	M	Y		W		
	<p>S = Small - Field Adjustable 18W/26W/39W</p> <p>M = Medium - Field Adjustable 52W/80W</p> <p>L = Large - Field Adjustable 120W/180W/230W</p>	<p>Blank = Field Adjustable 5000K/4000K</p> <p>Y = 3000K Warm</p>	<p>Blank = Knuckle Mount</p> <p>SF = Slipfitter</p> <p>T = Trunnion</p>	<p>Blank = Bronze</p> <p>W = White</p>	<p>Blank = 120-277V, 0-10V Dimming</p> <p>/480 = 480V, 0-10V Dimming</p>	<p>Blank = No Option</p> <p>/7PR = 7Pin Receptacle</p> <p>/PCU = 120-277V Button Photocell</p>