

# FXLED200SFNB33W/BL



Ultra high output, high efficiency LED floodlight with NEMA Types: 7H x 6V, 6H x 4V, 4H x 6V, 5H x 5V and 3H x 3V. Patent Pending airflow technology ensures long LED and driver lifespan. Use for general and security lighting for large areas, building facades, signs and landscapes.

Color: White

Weight: 66.1 lbs

**Project:**

**Type:**

**Prepared By:**

**Date:**

## Driver Info

|              |                  |
|--------------|------------------|
| Type:        | Constant Current |
| 120V:        | 1.72A            |
| 208V:        | 1.03A            |
| 240V:        | 0.89A            |
| 277V:        | 0.77A            |
| Input Watts: | 205W             |
| Efficiency:  | 98%              |

## LED Info

|                 |         |
|-----------------|---------|
| Watts:          | 200W    |
| Color Temp:     | 4000K   |
| Color Accuracy: | 82 CRI  |
| L70 Lifespan:   | 100000  |
| Lumens:         | 22,406  |
| Efficacy:       | 109 LPW |

## Technical Specifications

### Listings

#### UL Listing:

Suitable for wet locations. Suitable for ground mounting.

#### IESNA LM-79 & LM-80 Testing:

RAB LED luminaires have been tested by an independent laboratory in accordance with IESNA LM-79 and LM-80, and have been received the Department of Energy "Lighting Facts" label.

### Electrical

#### Drivers:

Constant Current, 700mA, 50/60 Hz, 120-277V, 4 kV surge protection, 120V: 1.72A, 208V: 1.03A, 240V: 0.89A, 277V: 0.277A, THD <20%, Power Factor: 99%

#### THD:

5.3% at 120V, 11.8% at 277V

### Optical

#### NEMA Type:

NEMA Beam Spread of 3H x 3V

### LED Characteristics

#### Lifespan:

100,000-hour LED lifespan based on IES LM-80 results and TM-21 calculations.

#### LEDs:

Multi-chip, high-output, long-life LEDs

#### Color Consistency:

3-step MacAdam Ellipse binning to achieve consistent fixture-to-fixture color.

#### Color Stability:

LED color temperature is warranted to shift no more than 200K in CCT over a 5 year period.

#### Color Uniformity:

RAB's range of CCT (Correlated Color Temperature) follows the guidelines of the American National Standard for Specifications for the Chromaticity of Solid State Lighting (SSL) Products, ANSI C78.377-2011.

### Construction

#### IP Rating:

Ingress Protection rating of IP66 for dust and water.

#### Maximum Ambient Temperature:

Suitable for use in 40°C (104°F) ambient temperatures

#### Effective Projected Area:

EPA = 4

#### Cold Weather Starting:

The minimum starting temperature is -40°C/-40°F

#### Thermal Management:

Superior thermal management with external Air-Flow fins.

#### Housing:

Die-cast aluminum housing and door frame

#### Mounting:

Heavy-duty Slipfitter for 2 3/8"OD pipe.

#### Reflector:

Specular and semi-specular vacuum metalized polycarbonate

#### Gaskets:

High-temperature silicone gaskets

#### Finish:

Our environmentally friendly polyester powder coatings are formulated for high-durability and long-lasting color, and contains no VOC or toxic heavy metals.

#### Green Technology:

Mercury and UV free. RoHS compliant components. Polyester powder coat finish formulated without the use of VOC or toxic heavy metals.

### Other

#### California Title 24:

FXLED200SF/BL with bi-level operation complies with 2013 California Title 24 building and electrical codes as a commercial outdoor pole-mounted fixture > 30 Watts mounted up to 24 feet when used with a RAB photo/motion control. Select a photo/motion control using catalog number STL110, STL200 or STL360. Mounting heights greater than 24 feet require only a photocell. See FXLED200SF/PCS or FXLED200SF/PCS2 (277V) for photocell versions.

#### Replacement:

The FXLED200 replaces 400W Metal Halide Floodlights.

#### Warranty:

RAB warrants that our LED products will be free from defects in materials and workmanship for a period of five (5) years from the date of delivery to the end user, including coverage of light output, color stability, driver performance and fixture finish.

#### Country of Origin:

Designed by RAB in New Jersey and assembled in the USA by RAB's IBEW Local 3 workers.

#### Buy American Act Compliant:

This product is a COTS item manufactured in the United States, and is compliant with the Buy American Act.

## Technical Specifications (continued)

### Other

#### Recovery Act (ARRA) Compliant:

This product complies with the 52.225-21 "Required Use of American Iron, Steel, and Manufactured Goods-- Buy American Act-- Construction Materials (October 2010).

#### Trade Agreements Act Compliant:

This product is a COTS item manufactured in the United States, and is compliant with the Trade Agreements Act.

#### GSA Schedule:

Suitable in accordance with FAR Subpart 25.4.

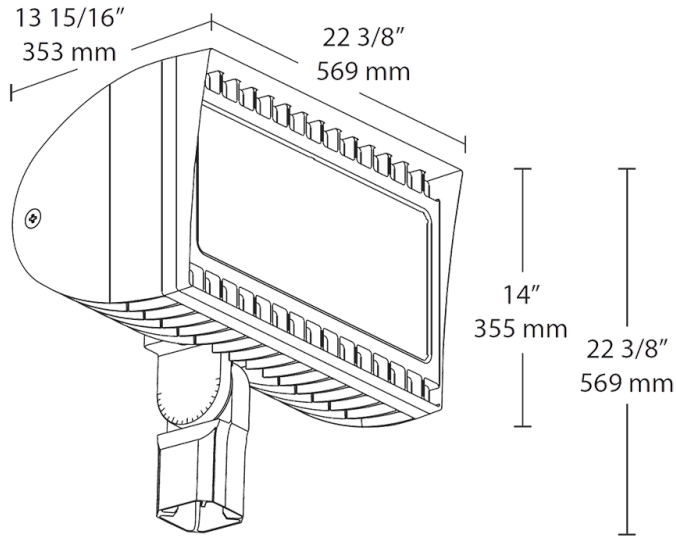
#### FXLED200 with Bi-Level Operation:

Allows 50% and 100% output modes.

# FXLED200SFNB33W/BL



## Dimensions



## Features

- 200W replaces 400 MH floodlights
- 100,000-hour LED lifespan
- 5-year No Compromise Warranty

## Ordering Matrix

| Family | Watts         | Mount                                 | Color Temp  | Beam Spread   | Finish                         | Dimming                                  | Voltage                             | Photocell  | Bi-Level                                  |
|--------|---------------|---------------------------------------|---|---|--------------------------------|--|-------------------------------------|--|---|
| FXLED  | 200 =<br>200W | SF =<br>Slipfitter<br>T =<br>Trunnion | Blank = 5000K<br>(Cool)<br>Y = 3000K (Warm)<br>N = 4000K<br>(Neutral) | Blank = 7H x<br>6V<br>B64 = 6H x 4V<br>B55 = 5H x 5V<br>B46 = 4H x 6V<br>B44 = 4H x 4V<br>B33 = 3H x 3V | Blank =<br>Bronze<br>W = White | Blank = No<br>Dimming<br>/D10 = Dimmable | Blank = 120-<br>277V<br>/480 = 480V | Blank = No Photocell<br>/PCS = 120V Swivel<br>/PCS2 = 277V Swivel<br>/PCS4 = 480V Swivel<br>/PCT = 120-277V<br>Twistlock<br>/PCT4 = 480V Twistlock | Blank = No Bi-<br>Level<br>/BL = Bi-Level |