



Ultra high output, high efficiency LED floodlight with NEMA Types: 7H x 6V, 6H x 4V, 4H x 6V, 5H x 5V and 3H x 3V. Advance thermal design ensures long LED and driver lifespan. Use for general and security lighting for large areas, building facades, signs and landscapes.

Color: White

Weight: 70.5 lbs

|                     |              |
|---------------------|--------------|
| <b>Project:</b>     | <b>Type:</b> |
| <b>Prepared By:</b> | <b>Date:</b> |

| Driver Info  |                  | LED Info        |         |
|--------------|------------------|-----------------|---------|
| Type:        | Constant Current | Watts:          | 500W    |
| 120V:        | N/A              | Color Temp:     | 5000K   |
| 208V:        | 2.53A            | Color Accuracy: | 76 CRI  |
| 240V:        | 2.20A            | L70 Lifespan:   | 100000  |
| 277V:        | 1.84A            | Lumens:         | 51525   |
| Input Watts: | 504W             | Efficacy:       | 102 LPW |
| Efficiency:  | 99%              |                 |         |

**Technical Specifications**

**Listings**

**UL Listing:**

Suitable for wet locations. Suitable for mounting within 1.2m (4ft) of the ground.

**IESNA LM-79 & LM-80 Testing:**

RAB LED luminaires have been tested by an independent laboratory in accordance with IESNA LM-79 and LM-80.

**DLC Listed:**

This product is on the Design Lights Consortium (DLC) Qualified Products List and is eligible for rebates from DLC Member Utilities.

DLC Product Code: P3BV9EE1

**Electrical**

**Drivers:**

Constant Current, Class 1, 120-277V, 50/60 Hz, 120V: 4.27A, 208V: 2.53A, 240V: 2.20A, 277V: 1.84A

**Dimming Driver:**

Driver includes dimming control wiring for 0-10V dimming systems. Requires separate 0-10V DC dimming circuit. Dims as low as 10%.

**Surge Protection:**

4kV

**Photocell:**

277V Swivel Photocell Included. Photocell is compatible with 208V-277V.

**Photocell:**

120V Swivel Photocell Included. Photocell is only compatible with 120V.

**Optical**

**NEMA Type:**

NEMA Beam Spread of 3H x 3V

**LED Characteristics**

**Lifespan:**

100,000-hour LED lifespan based on IES LM-80 results and TM-21 calculations.

**Note:**

All values are typical (tolerance +/- 10%)

**LEDs:**

Multip-chip, high-output, long-life LEDs

**Color Stability:**

LED color temperature is warranted to shift no more than 200K in CCT over a 5 year period

**Color Uniformity:**

RAB's range of CCT (Correlated Color Temperature) follows the guidelines of the American National Standard for Specifications for the Chromaticity of Solid State Lighting (SSL) Products, ANSI C78.377-2017.

**THD**

**THD:**

5.7% at 120V, 5.9% at 277V

**Power Factor**

**Power Factor:**

99.7% at 120V, 97.1% at 277V

**Construction**

**IP Rating:**

Ingress Protection rating of IP66 for dust and water

**Vibration Rating:**

2G vibration rating per ANSI C136.31.

**Cold Weather Starting:**

Minimum starting temperature is -40°C (-40°F)

**Ambient Temperature:**

Suitable for use in 40°C (104°F) ambient temperatures.

**Effective Projected Area:**

EPA = 4

**Thermal Management:**

Superior thermal management with external "Air-Flow" fins.

**Housing:**

Die-cast aluminum housing with lens frame.

**Mounting:**

Heavy-duty Slipfitter for 2 3/8"OD pipe.

**Reflector:**

Specular vacuum metalized polycarbonate; semi-specular on flat trim edge.

**Lens:**

Clear glass lens

**Technical Specifications (continued)**

**Construction**

**Gaskets:**

High-temperature silicone gaskets

**Finish:**

Formulated for high-durability and long lasting color.

**Green Technology:**

Mercury and UV free. RoHS compliant components. Polyester powder coat finish formulated without the use of VOC or toxic heavy metals.

**Other**

**American Bureau of Shipping (ABS) :**

For use on Mobile Offshore Drilling Units (MODU) and shipping vessels.

**Replacement:**

Replaces 1500W Metal Halide

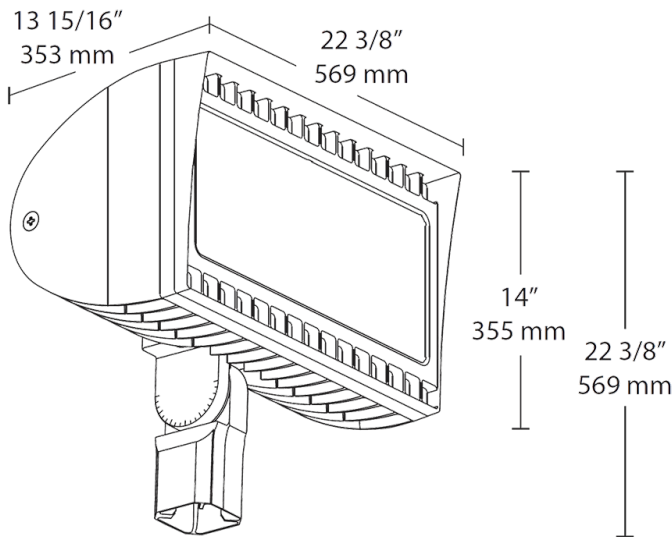
**Warranty:**

RAB warrants that our LED products will be free from defects in materials and workmanship for a period of five (5) years from the date of delivery to the end user, including coverage of light output, color stability, driver performance and fixture finish.

**Buy American Act Compliance:**

RAB values USA manufacturing! Upon request, RAB may be able to manufacture this product to be compliant with the Buy American Act (BAA). Please contact customer service to request a quote for the product to be made BAA compliant.

**Dimensions**



**Features**

- 500W replaces 1500W MH floodlights
- 100,000-hour LED lifespan
- 5-year No Compromise Warranty

**Ordering Matrix**

| Family | Wattage    | Mounting                        | Color Temp  | Beam Option   | Finish                      | Voltage                         | Driver                          | Options   |
|--------|------------|---------------------------------|---|---|-----------------------------|---------------------------------|---------------------------------|---|
| FXLED  | 500        | SF                              |   | B33   | W                           |                                 | /D10                            | /PCS2   |
|        | 500 = 500W | SF = Slipfitter<br>T = Trunnion | Blank = 5000K (Cool)<br>N = 4000K (Neutral)<br>Y = 3000K (Warm) | Blank = 7H x 6V<br>B64 = 6H x 4V<br>B55 = 5H x 5V<br>B46 = 4H x 6V<br>B33 = 3H x 3V | Blank = Bronze<br>W = White | Blank = 120-277V<br>/480 = 480V | /D10 = 0-10V Dimming (standard) | Blank = No Option<br>/PCS = 120V Swivel Photocell<br>/PCS2 = 277V Swivel Photocell<br>/PCS4 = 480V Swivel Photocell<br>/PCT = 120-277V 3PIN Twistlock Photocell<br>/PCT4 = 480V 3PIN Twistlock Photocell<br>/SP = 10KV Surge Suppressor<br>/LC = Lightcloud® Controller (120-277V only)<br>/BL = Bi-Level (120-277V only) |