



<b>Project:</b>	<b>Type:</b>
<b>Prepared By:</b>	<b>Date:</b>

Driver Info		LED Info	
Type	Constant Current	Watts	534W
120V	4.45A	Color Temp	4000K/5000K
208V	2.57A	Color Accuracy	81-82 CRI
240V	2.23A	L70 Lifespan	100,000 Hours
277V	1.93A	Lumens	61887-72677
Input Watts	443.5-543.2W	Efficacy	131.9-142.5 lm/W

**Technical Specifications**

**Field Adjustability**

**Field Adjustable:**

Field Adjustable Light Output:  
445W/534W (factory default 534W)  
Color temperature (selectable by 4000K and 5000K)

**Compliance**

**UL Listed:**

Suitable for wet locations. Suitable for mounting within 1.2m (4ft) of the ground.

**IESNA LM-79 & LM-80 Testing:**

RAB LED luminaires and LED components have been tested by an independent laboratory in accordance with IESNA LM-79 and LM-80.

**DLC Listed:**

This product is listed by Design Lights Consortium (DLC) as an ultra-efficient premium product that qualifies for the highest tier of rebates from DLC Member Utilities. Designed to meet DLC 5.1 requirements.  
DLC Product Code: S-ON9HM6

**LED Characteristics**

**LEDs:**

Long-life, high-efficacy, discrete, surface-mount LEDs

**Color Consistency:**

7-step MacAdam Ellipse binning to achieve consistent fixture-to-fixture color

**Color Stability:**

LED color temperature is warrantied to shift no more than 200K in color temperature over a 5-year period

**Color Uniformity:**

RAB's range of Correlated Color Temperature follows the guidelines of the American National Standard for (SSL) Products, ANSI C78.377-2017.

**Electrical**

**Driver:**

445W: Constant Current, Class 2, 120-277V, 50/60 Hz, 120V: 3.71A, 208V: 2.14A, 240V: 1.86A, 277V: 1.61A

534W: Constant Current, Class 2, 120-277V, 50/60 Hz, 120V: 4.45A, 208V: 2.57A, 240V: 2.23A, 277V: 1.93A

**Dimming Driver:**

Driver includes dimming control wiring for 0-10V dimming systems. Requires separate 0-10V DC dimming circuit. Dims down to 10%.

**THD:**

2.94% at 120V, 8.15% at 277V

**Power Factor:**

99.9% at 120V, 98.4% at 277V

**Surge Protection:**

6kV

**7-Pin Receptacle:**

ANSI C136.41 7-pin receptacle, compatible with wireless control systems

**Technical Specifications (continued)**

**Performance**

**Lifespan:**

100,000-Hour LED lifespan based on IES LM-80 results and TM-21 calculations

**Construction**

**IP Rating:**

Ingress protection rating of IP66 for dust and water

**Cold Weather Starting:**

The minimum starting temperature is -40°C (-40°F)

**Ambient Temperature:**

Suitable for use in up to 40°C (104°F)

**Housing:**

Die-cast aluminum

**Mounting:**

2 3/8" slipfitter mount with stainless steel hardware

**Tilt Increment:**

Rotates in 5 degree increments

**Lens:**

Ultra clear, tempered glass

**Reflector:**

Vacuum metalized die cast aluminum alloy

**Vibration Rating:**

3G vibration rating per ANSI C136.31

**Effective Projected Area:**

EPA = 1.02

**Gaskets:**

High-temperature silicone gaskets

**Finish:**

Formulated for high durability and long-lasting color

**Green Technology:**

Mercury and UV free. RoHS-compliant components.

**Optical**

**NEMA Type:**

NEMA Beam Spread of 7H x 6V

**Other**

**Warranty:**

RAB warrants that our LED products will be free from defects in materials and workmanship for a period of ten (10) years from the date of delivery to the end user, including coverage of light output, color stability, driver performance and fixture finish. RAB's warranty is subject to all terms and conditions found at [rablighting.com/warranty](http://rablighting.com/warranty).

**Trade Agreements Act Compliant:**

This product is a product of Cambodia and a "designated country" end product that complies with the Trade Agreements Act

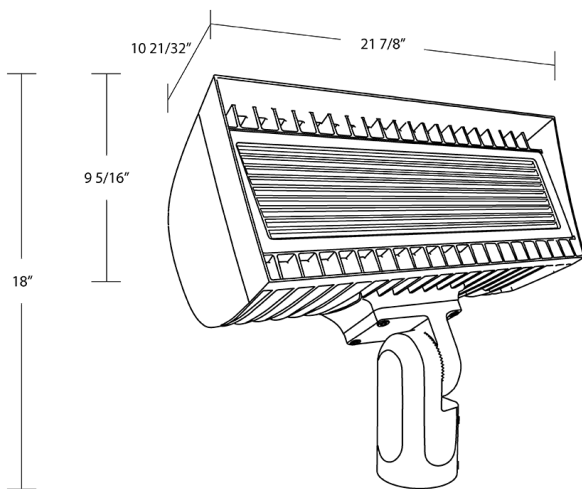
**Buy American Act Compliance:**

RAB values USA manufacturing! Upon request, RAB may be able to manufacture this product to be compliant with the Buy American Act (BAA). Please contact customer service to request a quote for the product to be made BAA compliant.

**Equivalency:**

Equivalent to 1500W Metal Halide

**Dimensions**



**Features**

- 100,000-hour life based on LM-80 results and TM-21 calculations
- DLC Premium Listed
- IP66 Rating protects against dust & water ingress
- 10-Year, No-Compromise Warranty

Ordering Matrix

Family	Housing Size	Color Temp	Mounting	Finish	Voltage	Options
FXLED	L		SF	W		/7PR
	<p><b>S</b> = Small (Field Adjustable 69W/97W/132W/168W)</p> <p><b>M</b> = Medium (Field Adjustable 213W/346W)</p> <p><b>L</b> = Large (Field Adjustable 445W/534W)</p>	<p><b>Blank</b> = Field Adjustable 5000K/4000K</p>	<p><b>SF</b> = Slipfitter</p> <p><b>T</b> = Trunnion</p>	<p><b>Blank</b> = Bronze</p> <p><b>W</b> = White</p>	<p><b>Blank</b> = 120-277V, 0-10V Dimming</p> <p><b>/480</b> = 480V, 0-10V Dimming</p>	<p><b>Blank</b> = No Option</p> <p><b>/7PR</b> = 7-Pin receptacle</p>