



Project:	Type:
Prepared By:	Date:

Driver Info		LED Info	
Type	Constant Current	Watts	168W
120V	1.40A	Color Temp	4000K/5000K
208V	0.81A	Color Accuracy	81-82 CRI
240V	0.70A	L70 Lifespan	100,000 Hours
277V	0.61A	Lumens	10206-22010
Input Watts	67.1-167.3W	Efficacy	131-152.1 lm/W

Technical Specifications

Field Adjustability

Field Adjustable:

Field Adjustable Light Output:
69W/97W/132W/168 (factory default 168W)
Color temperature (selectable by 4000K and 5000K)

Compliance

UL Listed:

Suitable for wet locations. Suitable for mounting within 1.2m (4ft) of the ground.

IESNA LM-79 & LM-80 Testing:

RAB LED luminaires and LED components have been tested by an independent laboratory in accordance with IESNA LM-79 and LM-80.

DLC Listed:

This product is listed by Design Lights Consortium (DLC) as an ultra-efficient premium product that qualifies for the highest tier of rebates from DLC Member Utilities. Designed to meet DLC 5.1 requirements.
DLC Product Code: S-ZTA2XY

LED Characteristics

LEDs:

Long-life, high-efficacy, discrete, surface-mount LEDs

Color Consistency:

7-step MacAdam Ellipse binning to achieve consistent fixture-to-fixture color

Color Stability:

LED color temperature is warrantied to shift no more than 200K in color temperature over a 5-year period

Color Uniformity:

RAB's range of Correlated Color Temperature follows the guidelines of the American National Standard for (SSL) Products, ANSI C78.377-2017.

Electrical

Driver:

69W: Constant Current, Class 2, 120-277V, 50/60 Hz, 120V: 0.58A, 208V: 0.34A, 240V: 0.29A, 277V: 0.25

97W: Constant Current, Class 2, 120-277V, 50/60 Hz, 120V: 0.81A, 208V: 0.47A, 240V: 0.41A, 277V: 0.35A

132W: Constant Current, Class 2, 120-277V, 50/60 Hz, 120V: 1.10A, 208V: 0.64A, 240V: 0.55A, 277V: 0.48A

168W: Constant Current, Class 2, 120-277V, 50/60 Hz, 120V: 1.40A, 208V: 0.81A, 240V: 0.70A, 277V: 0.61A

Dimming Driver:

Driver includes dimming control wiring for 0-10V dimming systems. Requires separate 0-10V DC dimming circuit. Dims down to 10%.

THD:

3.6% at 120V, 8.5% at 277V

Power Factor:

100% at 120V, 98.1% at 277V

Surge Protection:

6kV

Performance

Lifespan:

100,000-Hour LED lifespan based on IES LM-80 results and TM-21 calculations

Technical Specifications (continued)

Construction

IP Rating:

Ingress protection rating of IP66 for dust and water

Cold Weather Starting:

The minimum starting temperature is -40°C (-40°F)

Ambient Temperature:

Suitable for use in up to 40°C (104°F)

Housing:

Die-cast aluminum

Mounting:

2 3/8" slipfitter mount with stainless steel hardware

Tilt Increment:

Rotates in 5 degree increments

Lens:

Ultra clear, tempered glass

Reflector:

Vacuum metalized polycarbonate

Vibration Rating:

3G vibration rating per ANSI C136.31

Effective Projected Area:

EPA = 0.5

Gaskets:

High-temperature silicone gaskets

Finish:

Formulated for high durability and long-lasting color

Green Technology:

Mercury and UV free. RoHS-compliant components.

Optical

NEMA Type:

NEMA Beam Spread of 6H x 6V

Other

Warranty:

RAB warrants that our LED products will be free from defects in materials and workmanship for a period of ten (10) years from the date of delivery to the end user, including coverage of light output, color stability, driver performance and fixture finish. RAB's warranty is subject to all terms and conditions found at rablighting.com/warranty.

Trade Agreements Act Compliant:

This product is a product of Cambodia and a "designated country" end product that complies with the Trade Agreements Act

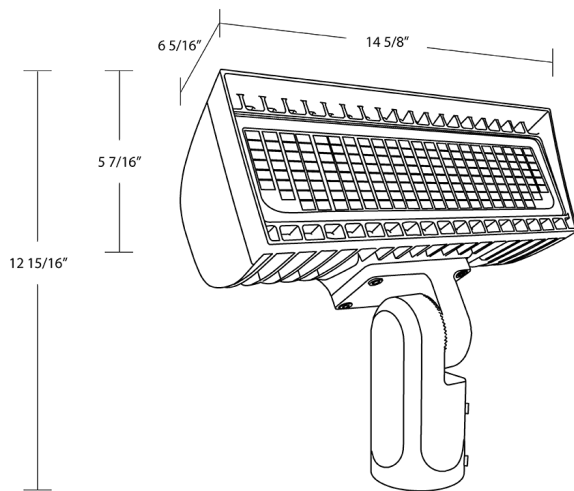
Buy American Act Compliance:

RAB values USA manufacturing! Upon request, RAB may be able to manufacture this product to be compliant with the Buy American Act (BAA). Please contact customer service to request a quote for the product to be made BAA compliant.

Equivalency:

Equivalent to 750W Metal Halide

Dimensions



Features

- 100,000-hour life based on LM-80 results and TM-21 calculations
- DLC Premium Listed
- IP66 Rating protects against dust & water ingress
- 10-Year, No-Compromise Warranty

Ordering Matrix

Family	Housing Size	Color Temp	Mounting	Finish	Voltage	Options
FXLED	S		SF	W		
	S = Small (Field Adjustable 69W/97W/132W/168W) M = Medium (Field Adjustable 213W/346W) L = Large (Field Adjustable 445W/534W)	Blank = Field Adjustable 5000K/4000K	SF = Slipfitter T = Trunnion	Blank = Bronze W = White	Blank = 120-277V, 0-10V Dimming /480 = 480V, 0-10V Dimming	Blank = No Option /7PR = 7-Pin receptacle