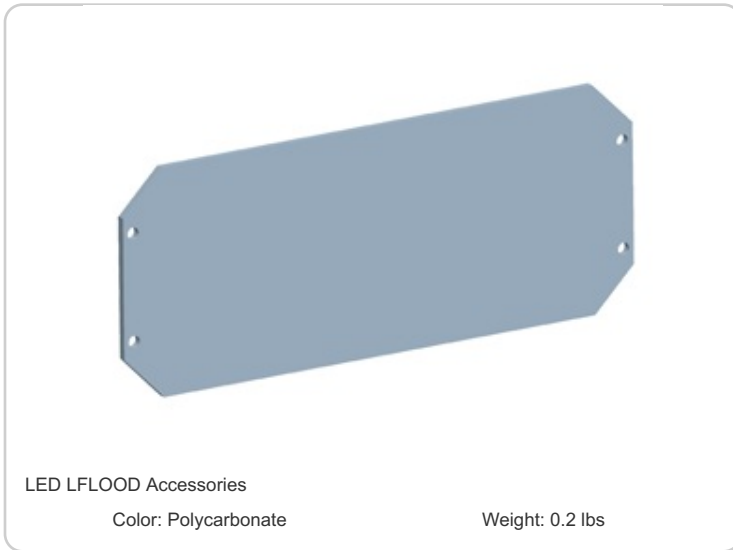


GDIFFLED18P



Project:	Type:
Prepared By:	Date:

Technical Specifications

Construction

Shield:

Polycarbonate shield for LFLOOD18.